

features

- 45 ton (40 mt) Capacity
- 29 ft.-95 ft. (8.8-29 m) 4 section, full power boom
- 32 ft.-102 ft. (9.8-31 m) 4 section, full power boom
- 26 ft.-45 ft. (7.6-13.7 m) offsettable telescopic swingaway extension
- Dual-Axis electronic joystick controllers
- Rear air suspension with shock absorbers
- Cummins QSB 3.3L 110 hp (82 kW) diesel off-road superstructure engine
- Cummins ISC 300 hp (224 kW) diesel on - highway carrier engine



contents

Features	2
Specifications	3
Dimensions & Weights	5
Working Range	9
Load Charts	10
Working Range	14
Load Charts	15
Load Handling	18

features

2



Spring front suspension w/air ride rear suspension provides a comfortable ride at 65 m.p.h. (105 Km/h)



Carrier cab layout provides automotive look. Tilt/telescoping steering wheel enhances operator preference & comfort



Max. tip height of 154 ft. (47.0 m) w/ 45 ft. (13.7 m) tele. extension

Cummins ISC diesel (07) engine meets current On-Highway emissions



TM500E-2

GROVE

Superstructure

Boom

29 ft. - 95 ft. (8.8 m - 29 m) four-section, synchronized full power boom.
Maximum Tip Height: 102.5 ft. (31.2 m).

*Optional Boom

32 ft. - 102 ft. (9.8 m - 31.0 m) four-section, synchronized full power boom.
Maximum Tip Height: 110 ft. (33.6 m).

Telescopic Swingaway Extension

26 ft. - 45 ft. (7.9 m - 13.7 m) offsettable telescopic lattice swingaway extension. Offsets at 0°, 15°, and 30°. Stows alongside base boom section.
Maximum Tip Height: 146 ft. (44.5 m) w/ 95 ft. (29 m) boom.
Maximum Tip Height: 154 ft. (47.0 m) w/102 ft. (31 m) boom.

*Optional Fixed Swingaway Extension

26 ft. - 45 ft. (7.9 m) offsettable fixed swingaway extension. Offsets at 0°, 15°, and 30°. Stows alongside base boom section.
Maximum Tip Height: 127.6 ft. (38.9 m) w/ 95 ft. (29 m) boom.
Maximum Tip Height: 135 ft. (41.1 m) w/102 ft. (31 m) boom.

Boom Nose

Three nylatron sheaves (w/ 95' / 29m boom)
Four nylatron sheaves (w/ 102' / 31m boom)
mounted on heavy duty tapered roller bearings with removable pin-type rope guards. Quick reeve type boom nose.

Boom Elevation

One double acting hydraulic cylinder with integral holding valve provides elevation from -3° to +78°.

Load Moment & Anti-Two Block System

Standard "Graphic Display" load moment and anti-two block system with audio-visual warning and control lever lockout. These systems provide electronic display of boom angle, length, radius, tip height, relative load moment, maximum permissible load, load indication and warning of impending two-block condition. The standard Work Area Definition System allows the operator to pre-select and define safe working areas. If the crane approaches the pre-set limits, audio-visual warnings aid the operator in avoiding job-site obstructions.

Cab

Full-vision, all-steel fabricated with acoustical lining and tinted safety glass throughout. Deluxe seat incorporates armrest-mounted electric dual-axis controllers. Dash panel incorporates gauges for all engine functions. Other standard features include: hot water heater, cab circulating air fan, sliding side and rear windows, sliding skylight with electric wiper and sunscreen, electric windshield wash/wipe, 12V power outlet, fire extinguisher and seat belt.

Electrical System

Two 12V-maintenance free batteries.
24V electrical system with 24V starting and 24V lights.
Can-Bus diagnostic system.
Master battery disconnect for superstructure electrical system.

Swing

Single speed, planetary swing drive with foot applied multi-disc wet brake. Spring applied, hydraulically released swing brake. Dual position mechanical house lock, operated from cab, and 360° mechanical swing lock. Maximum speed: 2.0 RPM.

Engine (Tier III)

Cummins QSB 3.3L 4 cylinder water-cooled diesel off-road engine. 110 bhp (82 kW) @ 2,400 rpm (82 kW).
Maximum torque: 304 ft. lb. (412 Nm)

Fuel Tank

30 gal. (114L)

Counterweight (Pinned to superstructure)

95' (29 m) boom: 3,000 lb. (1 360 kg)
102' (31 m) boom: 5,500 lb. (2 495 kg)

Hydraulic System (S/S)

Two main pumps ([1] piston and [1] gear) with a combined capacity of 82.4 GPM (312 LPM).
Maximum operating pressure: 4,000 psi (275.7 bar).
Three section pressure compensated valve bank. Return line type filter with full flow by-pass protection and service indicator. Replaceable cartridge with micron filtration rating of 5/12/16. 96gal. (364 L) hyd. reservoir. System pressure test ports.

Hoist Specifications (HP15C-17G) Main and Auxiliary Hoists

Planetary reduction with automatic spring applied multi-disc wet brake. Electronic hoist drum rotation indicators, and hoist drum cable followers.

Maximum Single Line Pull:

1st layer: 11,640 lb (5,280 kg.)
3rd layer: 9,530 lb (4,323 kg.)
5th layer: 8,060 lb (3,656 kg.)

Maximum Permissible Line Pull:

11,640 lb. (5,280 kg.) with 6x37 class rope.
11,640 lb. (5,280 kg.) with 35x7 class rope.

Maximum Single Line Speed: 445 FPM (136 m/min)

Rope Construction:

6X36 EIPS IWRC, Special Flexible
35x7 Flex-X, Rotation Resistant

Rope Diameter: 5/8" (16 mm)

Rope Length:

Main Hoist: 450 ft. (137.0 m)
Auxiliary Hoist: 450 ft. (137.0 m)

Maximum Rope Stowage: 596 ft. (181 m)

*Denotes optional equipment

specifications

4

Carrier



Chassis

Commercial application specific design. "C" section frame fabricated from high-strength, low alloy steel with sub-frame "Huck-Bolted". Front/rear towing and tie down lugs.



Outrigger System

Four hydraulic telescoping single-stage double box beam outriggers with inverted jacks and integral holding valves. Three position setting, 0%, 50% and fully extended.

All steel fabricated, quick release type outrigger floats, 24.0" (610 mm) round. Optional aluminum outrigger pads available in place of steel.

Maximum outrigger pad load: 60,000 lb. (27 216kg).



Outrigger Controls

Located in the superstructure cab, requires two hand operation. Crane level indicator (360° sight bubble) on left side of console. Carrier mounted controls with emergency shutdown located on each side of carrier for set-up also. (note: no front stabilizer required)



Engine (07 E.P.A.)

Cummins ISC07 diesel, six cylinders, turbo-charged. 300 bhp (224 kW) (Gross) @ 2,000 RPM.

Maximum torque: 860 ft. lb. (1 166 Nm) @ 1,300 RPM.

Remote mounted oil check dipstick & oil fill tube.



Fuel Tank

75 gallons (284 L) aluminum.



Transmission

Allison automatic push button with 6 speeds forward and 1 reverse.

Integral torque convertor. Remote mounted transmission dipstick. Synthetic fluid.



Electrical System

Three 12 V - maintenance free batteries.

12 V starting and 12 V lighting. Master battery disconnect for carrier electrical system.



Drive

6 x 4 x 2.



Steering

Front axle, mechanical with hydraulic power assist controlled by the steering wheel.

Turning radius: 41.6 ft. (12.7m)



Axles

Front: Single, Meritor Non-drive / steer with 20,000 lb (9 072 kg) rating.

Rear: Dual, drive / non-steer single reduction drive, inter-axle differential lock, with 46,000 lb (20 866 kg) rating.

Synthetic fluids.



Brakes

ABS, S-cam, dual line air system operating on all wheels. Spring – applied, air released parking brake acting on rear axles. Air dryer is standard.



Tires

Std. Front: 425/65R22.5 radial highway tread tubeless singles.

Std. Rear: 11R22.5 highway tread tubeless duals.



Suspension

Front: Spring mounted single axle with shock absorbers.

Rear: Air bags with shock absorbers.



Lights

Full lighting including turn indicators, head, tail, brake and hazard warning lights. Day-time running lights.



Cab

Cab over / low profile 2 person design w/ manual hydraulic tilt. Double galvanized steel fabricated with acoustical lining and tinted glass throughout. Deluxe fabric covered, fully air adjustable drivers seat w/ armrests & 3 point retractable seatbelt. Complete driving controls and engine instrumentation including tilt steering wheel, tachometer, hourmeter, engine oil pressure, engine coolant temperature, fuel level, air system pressure, & speedometer gauges, transmission temperature warning, low air warning, & park brake indicator. 50,000 BTU heater / defroster, & 28,500 BTU air conditioning combination. Wired for radio.



Maximum Speed

65 MPH (104.6 kph)



Gradeability (Theoretical)

32% based on 57,127 lb (25 913kg) G.V.W.

Miscellaneous Standard Equipment

Full length aluminum decking, dual West Coast style rear view mirrors, electronic back-up alarm, hook block and headache ball stowage areas*, hoist mirrors, aluminum front / rear wheels (outer rear only), stainless steel exhaust system w/ aluminum heat shield.

Optional Equipment

*AUXILIARY HOIST PACKAGE (includes Model HP15C-17G auxiliary hoist with electronic hoist drum rotation indicator, hoist drum cable follower, 450 ft. (137.0 m) of 5/8 in. (16 mm) 35 x 7 class wire rope and auxiliary single sheave boom nose.

*AUXILIARY LIGHTING PACKAGE (includes cab mounted amber flashing light and dual base boom mounted floodlights.)

*LMI light bar (in cab)

*Pusher axle

*S/S Air conditioning (28,500 BTU)

*Full width rear mounted aluminum stowage box with access steps

*Aluminum right side mounted sling box

*Cross axle differential lock.

*Remote drive / steer

*Tandem steer (4 axle) - "special order"

**Denotes optional equipment*

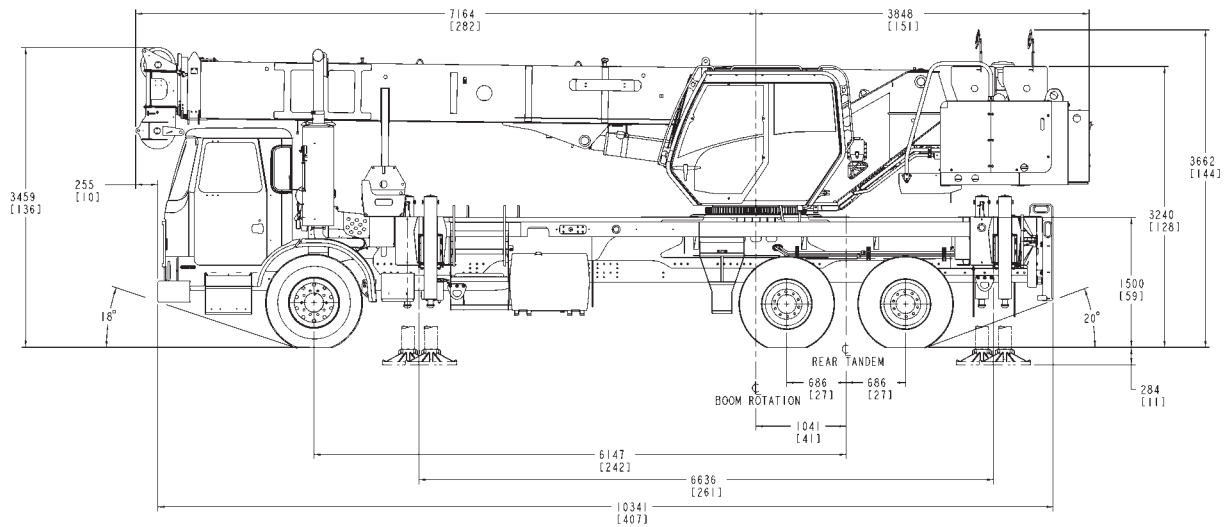
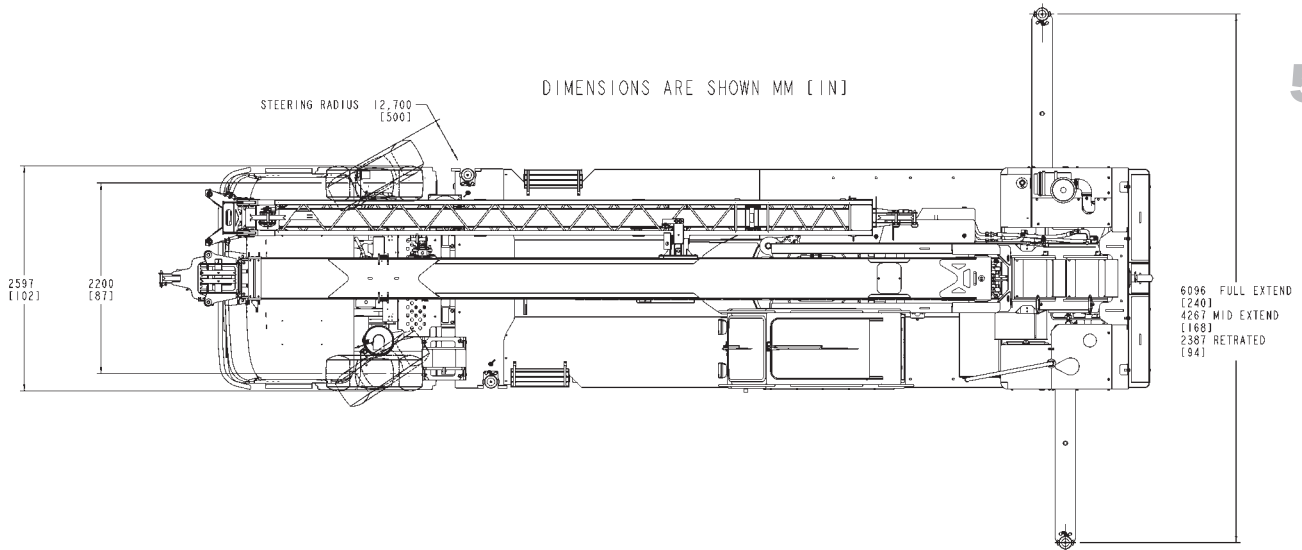
TM500E-2

GROVE

dimensions

95'/29 m boom

5



Weights	Gross (lbs./kg.)	Front (lbs./kg.)	Rear (lbs./kg.)
Axle Allowable			
Basic machine including 95 ft. (29.0 m) main boom, main hoist with 450 ft. (137.0 m) of rope, full counterweight + IPO, 7.5 T (6.8 mt) headache ball, 25T (22.6 mt) hookblock, & boom extension hangers.	57,127 (25 913 kg)	16,906 (7 669 kg)	40,221 (18 244 kg)
Additions:			
26 ft. 45 ft. (7.9 - 13.7 m) telescopic boom extension	1,626 (738 kg)	1,139 (517 kg)	487 (221 kg)
Auxilliary Hoist + 450 ft. (137.0 m) of 35 x 7 hoist cable ILO the IPO counterweight	388 (176 kg)	-128 (-58 kg)	516 (234 kg)
Air conditioning to S/S cab	77 (35 kg)	-12 (5 kg)	89 (40kg)

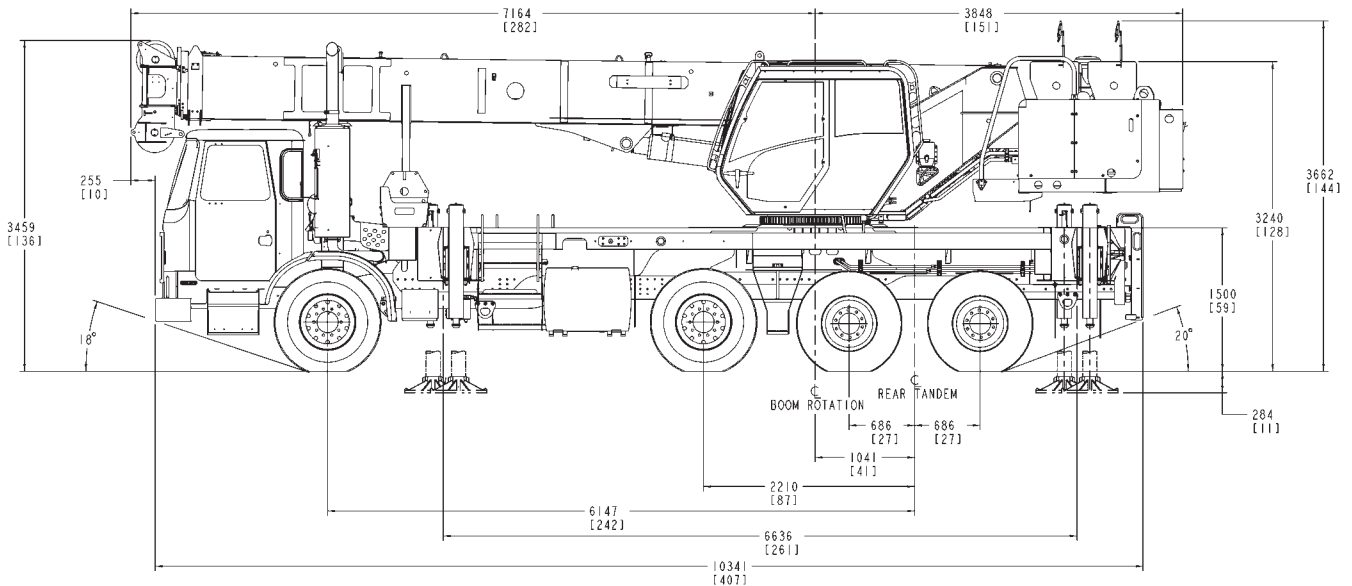
TM500E-2

dimensions

95'/29 m boom w/pusher axle

6

DIMENSIONS ARE SHOWN MM [IN]



Weights	Gross (lbs./kg.)	Front (lbs./kg.)	Pusher (lbs./kg.)	Rear (lbs./kg.)
Axle Allowable				
Basic machine w/pusher axle including 95 ft. (29.0 m) main boom, main hoist with 450 ft. (137.0 m) of rope, full counterweight + IPO, 25T (22.6 mt) hookblock, 7.5 T (6.8 mt) headache ball & boom extension hangers	59,039 (26 780 kg)	10,467 (4 748 kg)	20,000 (9 072 kg)	28,572 (12 960 kg)
Additions:				
26 ft. 45 ft. (7.9 - 13.7 m) telescopic boom extension	1,626 (738 kg)	1,139 (517 kg)	NO CHANGE	487 (221 kg)
Auxilliary Hoist + 450 ft. (137.0 m) of 35 x 7 hoist cable ILO the IPO counterweight	388 (176 kg)	-128 (-58 kg)	NO CHANGE	516 (234 kg)
Air conditioning to S/S cab	77 (35 kg)	-12 (5 kg)	NO CHANGE	89 (40kg)

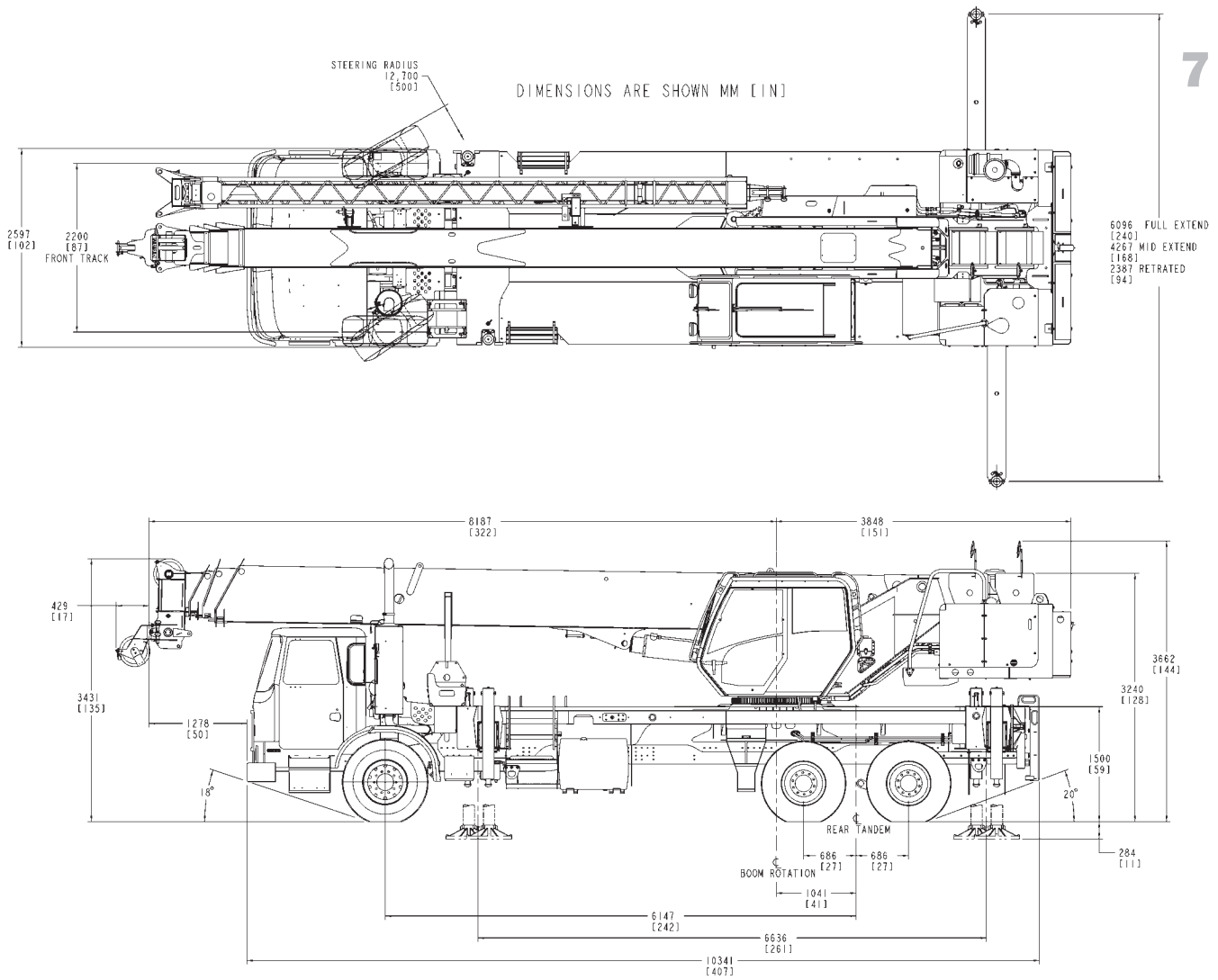
TM500E-2

GROVE

dimensions

102'/31 m boom

7



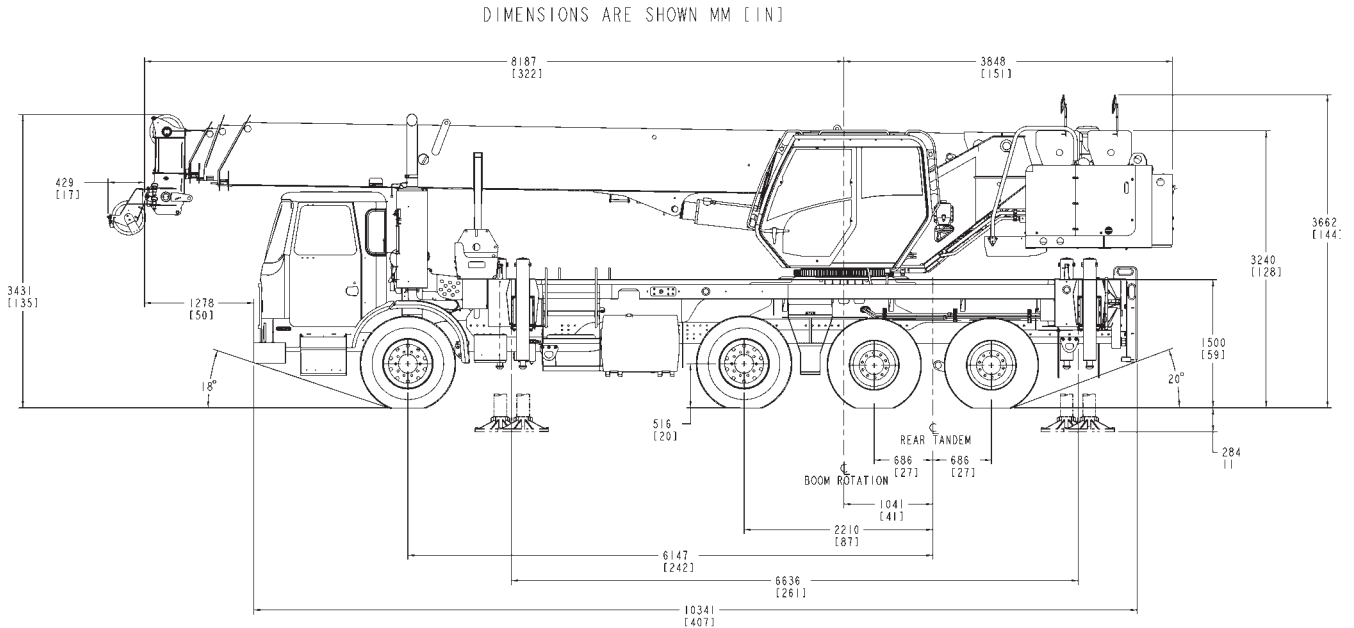
Weights	Gross (lbs./kg.)	Front (lbs./kg.)	Rear (lbs./kg.)
Axle Allowable			
Basic machine including 102 ft. (31.0 m) main boom, main hoist with 450 ft. (137.0 m) of rope, full counterweight + IPO, 7.5 T (6.8 mt) headache ball, 25T (22.6 mt) hookblock, & boom extension hangers	61,770 (28 019 kg)	17,903 (8 112 kg)	43,867 (19 898 kg)
Additions:			
26 ft. 45 ft. (7.9 - 13.7 m) telescopic boom extension	1,626 (738 kg)	1,139 (517 kg)	487 (221 kg)
Auxilliary Hoist + 450 ft. (137.0 m) of 35 x 7 hoist cable ILO the IPO counterweight	388 (176 kg)	-128 (-58 kg)	516 (234 kg)
Air conditioning to S/S cab	77 (35 kg)	-12 (5 kg)	89 (40kg)

TM500E-2

dimensions

102'/31 m boom w/pusher axle

8



Weights	Gross (lbs./kg.)	Front (lbs./kg.)	Pusher (lbs./kg.)	Rear (lbs./kg.)
Axle Allowable				
Basic machine w/pusher axle including 102 ft. (31.0 m) main boom, main hoist with 450 ft. (137.0 m) of rope, full counterweight + IPO, 25T (22.6 mt) hookblock, 7.5 T (6.8 mt) headache ball & boom extension hangers	63,682 (28 886 kg)	11,463 (5 200 kg)	20,000 (9 072 kg)	32,219 (14 615 kg)
Additions:				
26 ft. 45 ft. (7.9 - 13.7 m) telescopic boom extension	1,626 (738 kg)	1,139 (517 kg)	NO CHANGE	487 (221 kg)
Auxilliary Hoist + 450 ft. (137.0 m) of 35 x 7 hoist cable ILO the IPO counterweight	388 (176 kg)	-128 (-58 kg)	NO CHANGE	516 (234 kg)
Air conditioning to S/S cab	77 (35 kg)	-12 (5 kg)	NO CHANGE	89 (40kg)

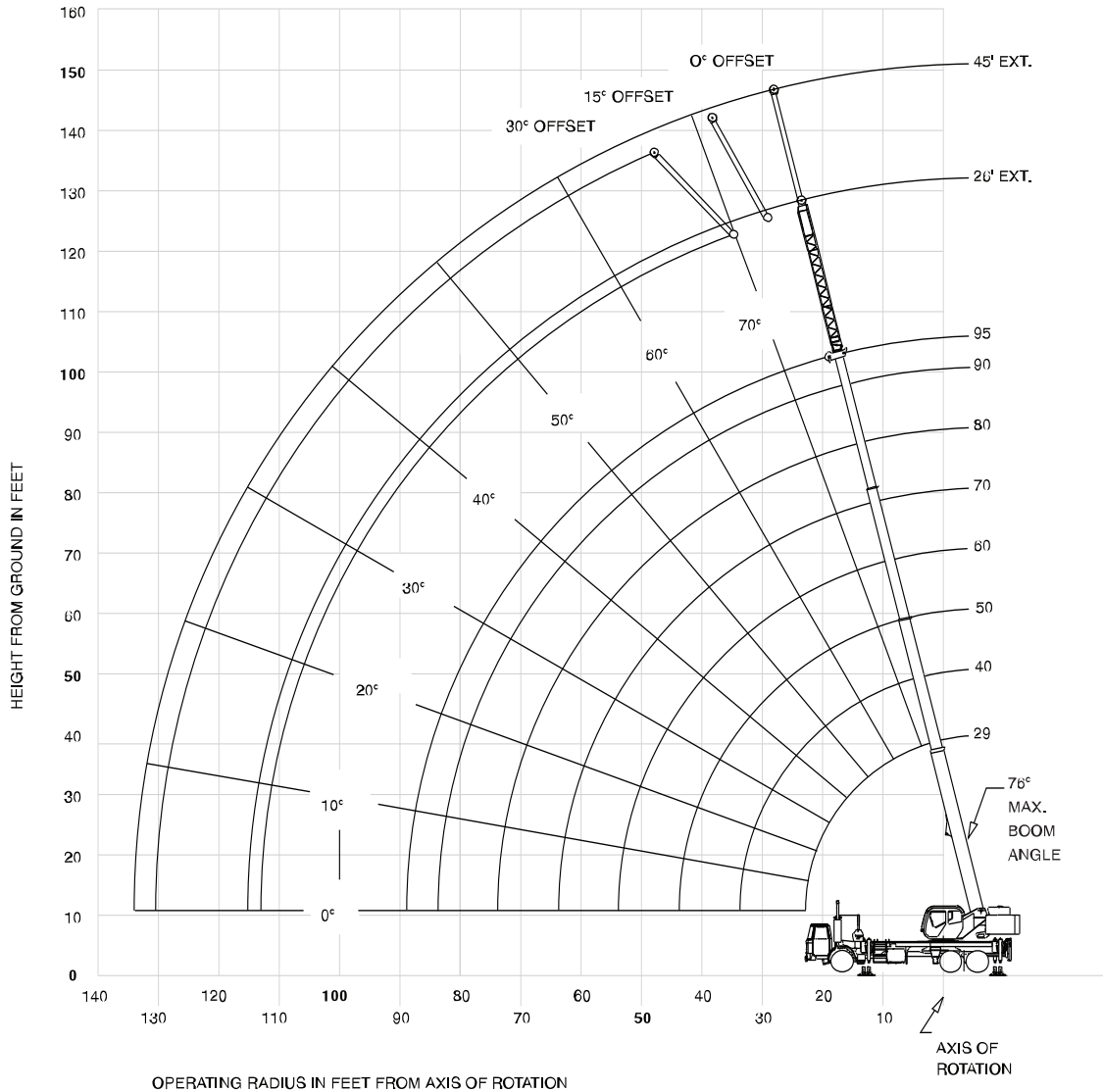
TM500E-2

GROVE

working range

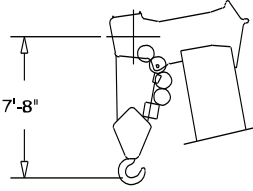
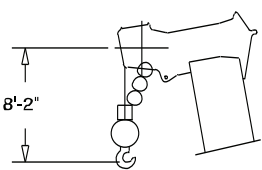
29-95' main boom + 26-45' lattice extension

(BOOM DEFLECTION NOT SHOWN)



9

BOOM LENGTH AND EXTENSION IN FEET



DIMENSIONS ARE FOR LARGEST GROVE FURNISHED HOOK BLOCK AND HEADACHE BALL, WITH ANTI-TWO BLOCK ACTIVATED.

TM500E-2

THIS CHART IS ONLY A GUIDE AND SHOULD NOT BE USED TO OPERATE THE CRANE. The individual crane's load chart, operating instructions and other instructional plates must be read and understood prior to operating the crane.

GROVE

load charts

10

		Pounds							
		Main Boom Length in Feet							
Feet		29	40	50	60	70	80	90	95
8	80,000 (65.5)								
10	63,000 (61)	50,100 (70.5)	46,950 (75.5)						
12	55,050 (56)	50,100 (67.5)	44,950 (73)	*38,850 (75.5)					
15	46,300 (48)	48,450 (62.5)	41,050 (69)	36,000 (73.5)	*29,450 (75.5)				
20	34,600 (30.5)	35,400 (53.5)	35,750 (62.5)	29,500 (68.5)	27,400 (72)	22,450 (75)	*18,550 (75.5)	*15,50 (75.5)	
25		27,300 (43)	27,650 (55.5)	24,800 (63)	23,100 (67.5)	19,250 (71)	16,500 (73.5)	15,30 (74.5)	
30		21,850 (29.5)	22,200 (48)	21,100 (57)	19,600 (63)	16,850 (67)	14,400 (70)	13,20 (71.5)	
35			17,750 (38.5)	17,950 (51)	17,000 (58)	14,850 (63)	12,700 (66.5)	11,500 (68)	
40			14,000 (26.5)	14,150 (44)	14,300 (52.5)	13,250 (58.5)	11,000 (63)	10,00 (65)	
45				11,500 (35.5)	11,550 (47)	11,650 (54)	9,630 (59)	9,060 (61.5)	
50	See Note 16		9,480 (25)	9,540 (40.5)	9,600 (49.5)	8,740 (55)	7,990 (57.5)		
55				7,950 (33)	8,000 (44)	7,760 (51)	7,100 (54)		
60					6,690 (23)	6,720 (38)	6,780 (46.5)	6,320 (50)	
65						5,670 (31)	5,750 (41.5)	5,650 (45.5)	
70						4,800 (21.5)	4,890 (36)	4,930 (40.5)	
75							4,160 (29.5)	4,210 (35.5)	
80								3,530 (20.5)	
85								3,050 (20.5)	
Minimum boom angle (°) for indicated length (no load)									0
Maximum boom length (ft.) at 0° boom angle (no load)									95

NOTE: () Boom angles are in degrees.
 #LMI operating code. Refer to LMI manual for operating instructions.
 *This capacity is based on maximum boom angle.

Lifting Capacities at Zero Degree Boom Angle								
Boom Angle	Main Boom Length in Feet							
	29	40	50	60	70	80	90	95
0°	26,150 (22.7)	17,550 (33.8)	11,900 (43.8)	8,250 (53.8)	5,880 (63.8)	4,220 (73.8)	3,110 (83.8)	2,670 (88.9)

NOTE: () Reference radii in feet. 80006510

		Pounds							
		Main Boom Length in Feet							
Feet		29	40	50	60	70	80	90	95
8	+90,000 (65.5)								
10	63,000 (61)	50,100 (70.5)	46,950 (75.5)						
12	55,050 (56)	50,100 (67.5)	44,950 (73)	*38,850 (75.5)					
15	46,300 (48)	48,450 (62.5)	41,050 (69)	36,000 (73.5)	*29,450 (75.5)				
20	34,600 (30.5)	35,400 (53.5)	35,750 (62.5)	29,500 (68.5)	27,400 (72)	22,450 (75)	*18,550 (75.5)	*15,50 (75.5)	
25		27,300 (43)	27,650 (55.5)	24,800 (63)	23,100 (67.5)	19,250 (71)	16,500 (73.5)	15,30 (74.5)	
30		21,850 (29.5)	22,200 (48)	21,100 (57)	19,600 (63)	16,850 (67)	14,400 (70)	13,20 (71.5)	
35			18,300 (38.5)	18,350 (51)	17,000 (58)	14,850 (63)	12,700 (66.5)	11,500 (68)	
40			15,300 (26.5)	15,550 (44)	15,200 (52.5)	13,250 (58.5)	11,000 (63)	10,00 (65)	
45	See Note 16			13,200 (35.5)	13,350 (47)	11,950 (54)	9,630 (59)	9,060 (61.5)	
50				11,350 (25)	11,300 (40.5)	10,800 (49.5)	8,740 (55)	7,990 (57.5)	
55					9,620 (33)	9,630 (44)	7,760 (51)	7,100 (54)	
60						8,240 (23)	8,280 (38)	6,920 (46.5)	
65							7,170 (31)	6,210 (41.5)	
70							6,220 (21.5)	5,590 (36)	
75								5,040 (29.5)	
80								4,570 (20.5)	
85								3,730 (20.5)	
Minimum boom angle (°) for indicated length (no load)									0
Maximum boom length (ft.) at 0° boom angle (no load)									95

NOTE: () Boom angles are in degrees.
 #LMI operating code. Refer to LMI manual for operating instructions.
 *This capacity is based on maximum boom angle.
 +Special equipment required to lift this capacity.

Lifting Capacities at Zero Degree Boom Angle								
Boom Angle	Main Boom Length in Feet							
	29	40	50	60	70	80	90	95
0°	26,150 (22.7)	17,550 (33.8)	13,100 (43.8)	10,100 (53.8)	7,370 (63.8)	5,600 (73.8)	4,300 (83.8)	3,730 (88.9)

NOTE: () Reference radii in feet. 80006511

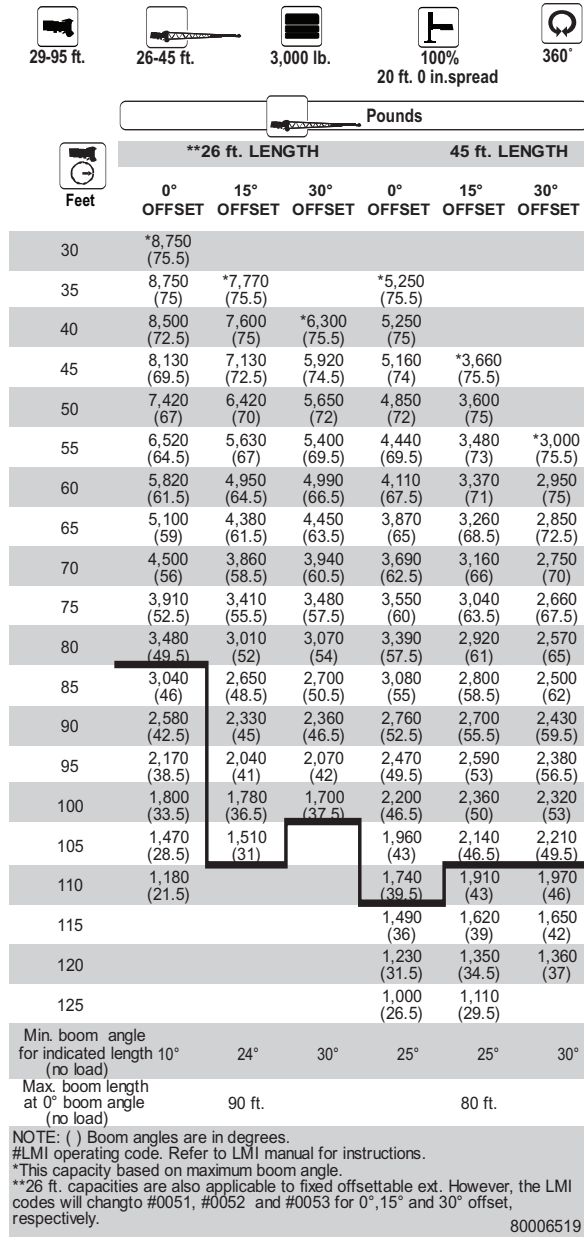
TM500E-2

GROVE

THIS CHART IS ONLY A GUIDE AND SHOULD NOT BE USED TO OPERATE THE CRANE. The individual crane's load chart, operating instructions and other instructional plates must be read and understood prior to operating the crane.

load charts

11



NOTES:

1. All capacities above the bold line are based on structural strength of boom extension.
2. 26 ft. and 45 ft. extension lengths may be used for single line lifting service.
3. Radii listed are for a fully extended boom with the boom extension erected. For main boom lengths less than fully extended, the rated loads are determined by boom angle. Use only the column which corresponds to the boom extension length and offset for which the machine is configured. For boom angles not shown, use the rating of the next lower boom angle.
WARNING: Operation of this machine with heavier loads than the capacities listed is strictly prohibited. Machine tipping with boom extension occurs rapidly and without advance warning.
4. Boom angle is the angle above or below horizontal of the longitudinal axis of the boom base section after lifting rated load.
5. Capacities listed are with outriggers properly extended and vertical jacks set only.
6. When lifting over the main boom nose with 26 ft. or 45 ft. extension erected, the outriggers must be fully extended or 50% extended (14' spread).

load charts

12



Feet	**26 ft. LENGTH			45 ft. LENGTH		
	0°	15°	30°	0°	15°	30°
	OFFSET	OFFSET	OFFSET	OFFSET	OFFSET	OFFSET
30	*8,750 (75.5)					
35	8,750 (75)	*7,770 (75.5)		*5,250 (75.5)		
40	8,500 (72.5)	7,600 (75)	*6,300 (75.5)	5,250 (75)		
45	8,130 (69.5)	7,130 (72.5)	5,920 (74.5)	5,160 (74)	*3,660 (75.5)	
50	7,420 (67)	6,420 (70)	5,650 (72)	4,850 (72)	3,600 (75)	
55	6,520 (64.5)	5,630 (67)	5,400 (69.5)	4,440 (69.5)	3,480 (73)	*3,000 (75.5)
60	5,820 (61.5)	4,950 (64.5)	4,990 (66.5)	4,110 (67.5)	3,370 (71)	2,950 (75)
65	5,100 (59)	4,380 (61.5)	4,450 (63.5)	3,870 (65)	3,260 (68.5)	2,850 (72.5)
70	4,500 (56)	3,860 (58.5)	3,940 (60.5)	3,690 (62.5)	3,160 (66)	2,750 (70)
75	3,910 (52.5)	3,410 (55.5)	3,480 (57.5)	3,550 (60)	3,040 (63.5)	2,660 (67.5)
80	3,480 (49.5)	3,010 (52)	3,070 (54)	3,390 (57.5)	2,920 (61)	2,570 (65)
85	3,050 (46)	2,650 (48.5)	2,700 (50.5)	3,080 (55)	2,800 (58.5)	2,500 (62)
90	2,650 (42.5)	2,330 (45)	2,360 (46.5)	2,760 (52.5)	2,700 (55.5)	2,430 (59.5)
95	2,310 (38.5)	2,040 (41)	2,070 (42)	2,470 (49.5)	2,590 (53)	2,380 (56.5)
100	2,000 (33.5)	1,780 (36.5)	1,700 (37.5)	2,200 (46.5)	2,360 (50)	2,320 (53)
105	1,710 (28.5)	1,510 (31)		1,960 (43)	2,140 (46.5)	2,210 (49.5)
110	1,450 (21.5)			1,740 (39.5)	1,930 (43)	1,990 (46)
115				1,560 (36)	1,740 (39)	1,790 (42)
120				1,440 (31.5)	1,470 (34.5)	1,400 (37)
125				1,240 (26.5)	1,280 (29.5)	
130				1,040 (19.5)		
Min. boom angle for indicated length (no load)	10°	15°	30°	15°	15°	30°
Max. boom length at 0° boom angle (no load)		90 ft.			80 ft.	

NOTE: () Boom angles are in degrees.
 #LMI operating code. Refer to LMI manual for instructions.
 *This capacity based on maximum boom angle.
 **26 ft. capacities are also applicable to fixed offsettable ext. However, the LMI codes wto #0051, #0052 and #0053 for 0°, 15° and 30° offset, respectively.
 80006521

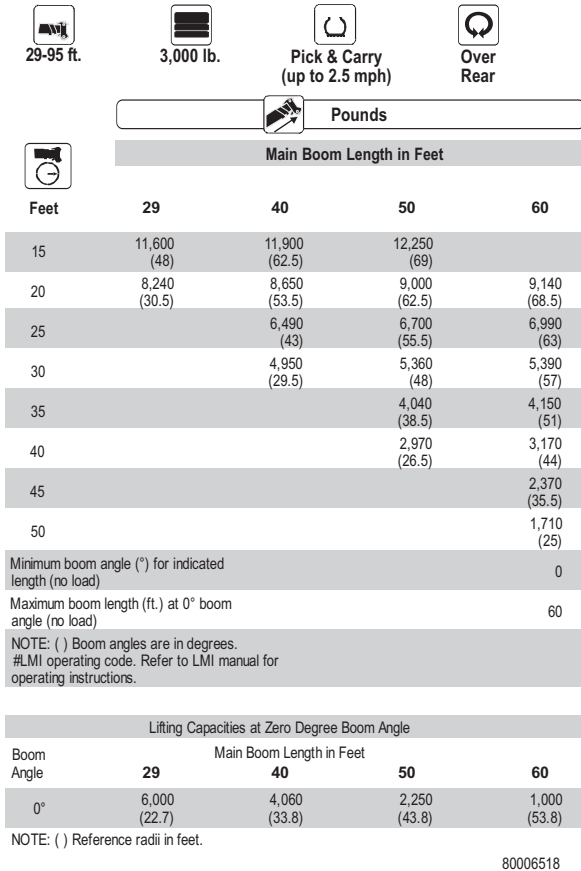
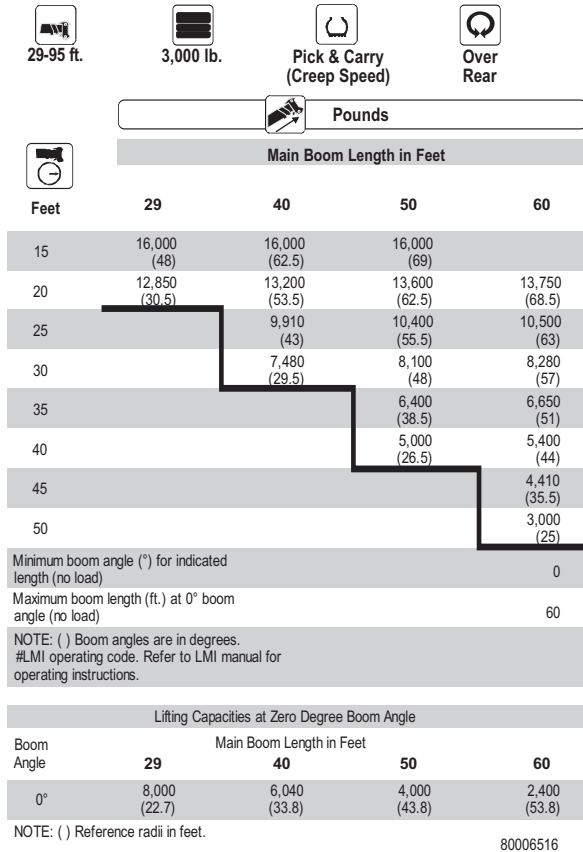
NOTES:

1. All capacities above the bold line are based on structural strength of boom extension.
2. 26 ft. and 45 ft. extension lengths may be used for single line lifting service.
3. Radii listed are for a fully extended boom with the boom extension erected. For main boom lengths less than fully extended, the rated loads are determined by boom angle. Use only the column which corresponds to the boom extension length and offset for which the machine is configured. For boom angles not shown, use the rating of the next lower boom angle.
WARNING: Operation of this machine with heavier loads than the capacities listed is strictly prohibited. Machine tipping with boom extension occurs rapidly and without advance warning.
4. Boom angle is the angle above or below horizontal of the longitudinal axis of the boom base section after lifting rated load.
5. Capacities listed are with outriggers properly extended and vertical jacks set only.
6. When lifting over the main boom nose with 26 ft. or 45 ft. extension erected, the outriggers must be fully extended or 50% extended (14' spread).

TM500E-2

load charts

13



NOTES:

1. Capacities are in pounds and do not exceed 75% of tipping loads as determined by test in accordance with SAE J765.
2. Capacities are based on rear tire size of 11R22.5 at 105 psi cold inflation pressure.
3. Capacities appearing above the bold line are based on structural strength and tipping should not be relied upon as a capacity limitation.
4. All rubber lifting depends on proper tire inflation, capacity and condition. Capacities must be reduced for lower tire inflation pressure. Damaged tires are hazardous to safe operation of crane.
5. Capacities are applicable only with machine on firm level surface and with mechanical swing lock engaged.
6. On rubber lifting with boom extension is not permitted.
7. For 2.5 mph pick and carry operation boom must be centered over rear of machine, mechanical swing lock engaged and load restrained from swinging. When handling loads in the structural range, travel should be reduced to creep speed.
8. Lifting over side on rubber is not permitted.
9. **WARNING:** Prior to any 'on rubber' operation, extend outrigger beams (fully or 50%), extend jack cylinders and level crane. Swing boom directly over rear and engage swing lock. Outrigger jack cylinders may then be retracted for on rubber operation. Do not rotate superstructure over the side while on rubber.
10. Creep - not over 200 ft. of movement in any 30 minute period and not exceeding 2.5 mph.
11. Air bags must be deflated when lifting on rubber.

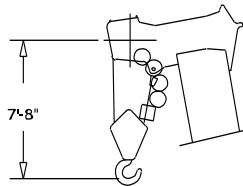
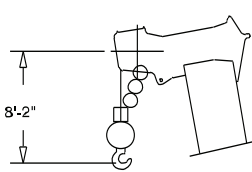
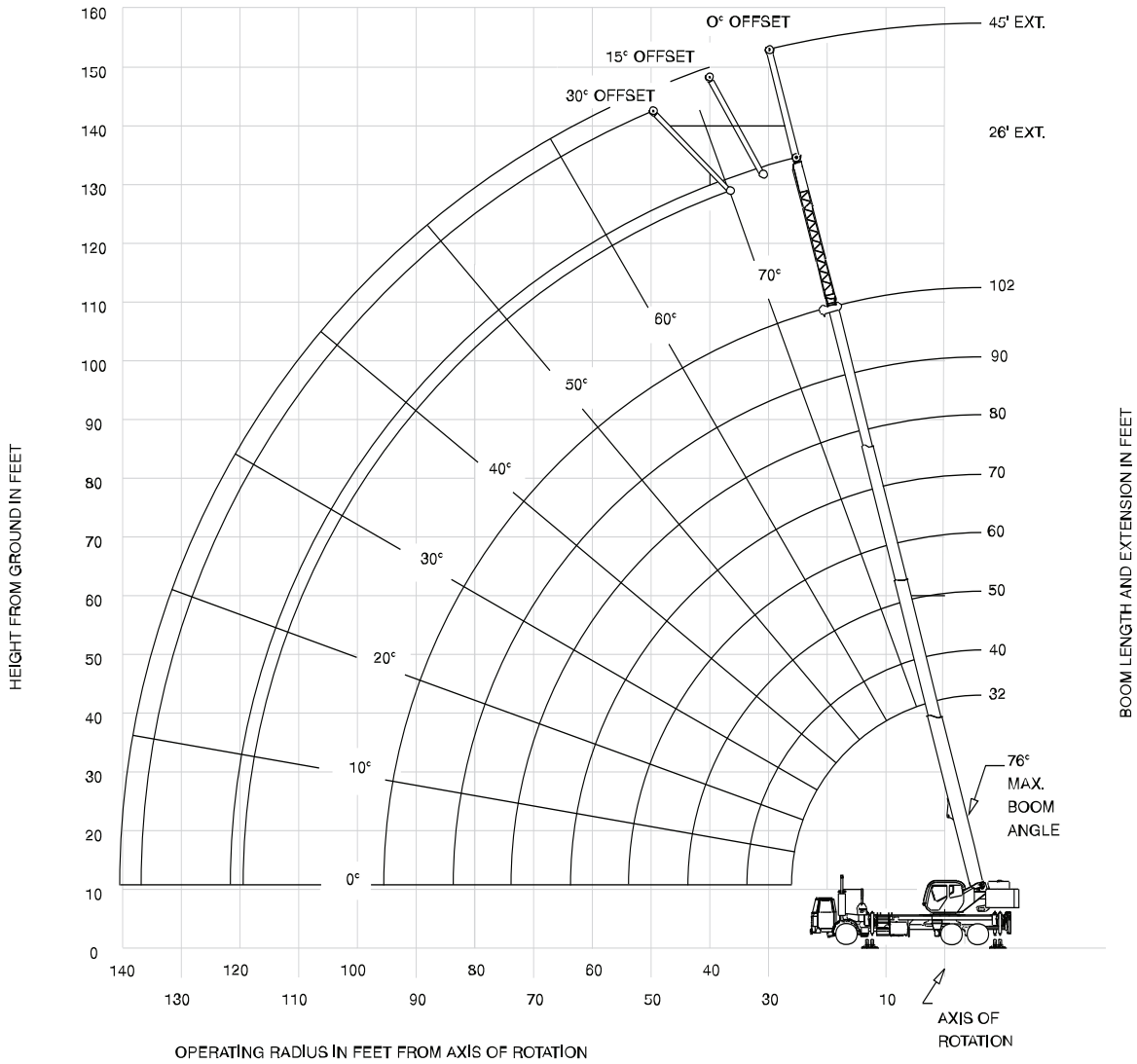
THIS CHART IS ONLY A GUIDE AND SHOULD NOT BE USED TO OPERATE THE CRANE. The individual crane's load chart, operating instructions and other instructional plates must be read and understood prior to operating the crane.

working range

14

32-102' main boom + 26-45' lattice extension

(BOOM DEFLECTION NOT SHOWN)



DIMENSIONS ARE FOR LARGEST GROVE FURNISHED HOOK BLOCK AND HEADACHE BALL, WITH ANTI-TWO BLOCK ACTIVATED.

TM500E-2

GROVE

THIS CHART IS ONLY A GUIDE AND SHOULD NOT BE USED TO OPERATE THE CRANE. The individual crane's load chart, operating instructions and other instructional plates must be read and understood prior to operating the crane.

load charts

15



Feet	32	40	50	60	70	80	90	102
8	80,000 (69)							
10	72,750 (65)	50,700 (70.5)	48,500 (75.5)					
12	62,600 (60.5)	50,700 (67.5)	48,500 (73)	*46,400 (76)				
15	49,200 (54)	49,700 (62.5)	48,500 (69)	44,300 (73.5)	*38,700 (76)			
20	35,500 (41)	35,950 (53.5)	36,350 (62.5)	35,300 (68)	31,000 (72)	29,700 (75)	*22,000 (76)	
25	27,100 (20)	27,550 (43.5)	27,950 (55.5)	28,150 (62.5)	25,800 (67.5)	24,600 (71)	22,000 (74)	*18,500 (76)
30		21,900 (30)	22,300 (48)	22,500 (57)	21,800 (63)	20,800 (67)	18,350 (71)	17,500 (73.5)
35			18,200 (38.5)	18,400 (50.5)	18,550 (58)	17,800 (63)	15,600 (67)	15,200 (70.5)
40			15,100 (26.5)	15,300 (43.5)	15,300 (52.5)	15,300 (58.5)	13,500 (63.5)	13,200 (67.5)
45	See Note 16		12,300 (35.5)	12,350 (47)	12,350 (54)	11,750 (60)	11,600 (64)	
50			10,050 (24.5)	10,150 (40.5)	10,150 (49.5)	10,150 (56)	10,150 (61)	
55				8,440 (33)	8,490 (44)	8,470 (51.5)	8,440 (57.5)	
60					7,040 (23)	7,120 (38)	7,100 (47)	7,070 (54)
65						5,970 (31)	5,980 (42)	5,950 (50)
70							5,010 (21.5)	5,010 (36.5)
75								4,220 (30)
80								3,520 (21)
85								2,920 (30.5)
90								2,390 (23.5)
95								1,920 (10)

Minimum boom angle (°) for indicated length (no load) 0
 Maximum boom length (ft.) at 0° boom angle (no load) 102

NOTE: () Boom angles are in degrees.
 # LMI operating code. Refer to LMI manual for operating instructions.
 * This capacity is based on maximum boom angle.

Lifting Capacities at Zero Degree Boom Angle

Boom Angle	Main Boom Length in Feet							
	32	40	50	60	70	80	90	102
0°	25,700 (26)	18,700 (33.8)	12,800 (43.8)	8,730 (53.8)	6,150 (63.8)	4,390 (73.8)	3,060 (83.8)	1,880 (95.5)

NOTE: () Reference radii in feet. 80001204B



Feet	32	40	50	60	70	80	90	102
8	+90,000 (69)							
10	72,750 (65)	50,700 (70.5)	48,500 (75.5)					
12	62,600 (60.5)	50,700 (67.5)	48,500 (73)	*46,400 (76)				
15	49,200 (54)	49,700 (62.5)	48,500 (69)	44,300 (73.5)	*38,700 (76)			
20	35,500 (41)	35,950 (53.5)	36,350 (62.5)	35,300 (68)	31,000 (72)	29,700 (75)	*22,000 (76)	
25	27,100 (20)	27,550 (43.5)	27,950 (55.5)	28,150 (62.5)	25,800 (67.5)	24,600 (71)	22,000 (74)	*18,500 (76)
30		21,900 (30)	22,300 (48)	22,500 (57)	21,800 (63)	20,800 (67)	18,350 (71)	17,500 (73.5)
35			18,200 (38.5)	18,400 (50.5)	18,550 (58)	17,800 (63)	15,600 (67)	15,200 (70.5)
40			15,100 (26.5)	15,300 (43.5)	15,300 (52.5)	15,500 (58.5)	13,500 (63.5)	13,200 (67.5)
45	See Note 16		12,900 (35.5)	13,050 (47)	13,150 (54)	12,900 (60)	11,600 (64)	
50			11,000 (24.5)	11,150 (40.5)	11,200 (49.5)	10,350 (56)	10,200 (61)	
55				9,560 (33)	9,660 (44)	9,170 (51.5)	9,040 (57.5)	
60					8,240 (23)	8,330 (38)	8,170 (47)	8,050 (54)
65						7,200 (31)	7,300 (42)	7,190 (50)
70							6,240 (21.5)	6,300 (36.5)
75								5,420 (30)
80								4,660 (21)
85								4,060 (30.5)
90								3,480 (23.5)
95								2,980 (10)

Minimum boom angle (°) for indicated length (no load) 0
 Maximum boom length (ft.) at 0° boom angle (no load) 102

NOTE: () Boom angles are in degrees.
 # LMI operating code. Refer to LMI manual for operating instructions.
 * This capacity is based on maximum boom angle.
 + Directly over the rear only.

Lifting Capacities at Zero Degree Boom Angle

Boom Angle	Main Boom Length in Feet							
	32	40	50	60	70	80	90	102
0°	25,700 (26)	18,700 (33.8)	13,250 (43.8)	9,770 (53.8)	7,370 (63.8)	5,570 (73.8)	4,160 (83.8)	2,930 (95.5)

NOTE: () Reference radii in feet. 80001675A

TM500E-2

THIS CHART IS ONLY A GUIDE AND SHOULD NOT BE USED TO OPERATE THE CRANE. The individual crane's load chart, operating instructions and other instructional plates must be read and understood prior to operating the crane.



load charts

16



Feet	Pounds					
	26 ft. LENGTH			45 ft. LENGTH		
	0° OFFSET	15° OFFSET	30° OFFSET	0° OFFSET	15° OFFSET	30° OFFSET
35	*10,200 (76)					
40	9,460 (73.5)	*7,770 (76)		*5,250 (76)		
45	8,760 (71)	7,370 (73)	*6,030 (76)	5,250 (74.5)		
50	8,150 (68.5)	6,870 (70.5)	5,780 (73.5)	5,050 (72.5)	3,660 (76)	
55	7,510 (66)	6,050 (68)	5,520 (71)	4,650 (70.5)	3,540 (73.5)	
60	6,700 (63.5)	5,350 (65.5)	5,290 (68)	4,290 (68)	3,430 (71.5)	*3,000 (76)
65	5,990 (60.5)	4,740 (63)	4,810 (65.5)	4,000 (66)	3,320 (69)	2,890 (73.5)
70	5,310 (58)	4,210 (60)	4,270 (62.5)	3,800 (63.5)	3,220 (67)	2,790 (71.5)
75	4,490 (55)	3,750 (57)	3,800 (59.5)	3,650 (61.5)	3,130 (64.5)	2,700 (69)
80	3,790 (52)	3,330 (54)	3,380 (56.5)	3,520 (59)	3,000 (62.5)	2,620 (66.5)
85	3,180 (49)	2,960 (51)	3,010 (53.5)	3,360 (56.5)	2,880 (60)	2,550 (64)
90	2,650 (45.5)	2,630 (48)	2,670 (50)	3,030 (54)	2,770 (57)	2,480 (61.5)
95	2,180 (42)	2,330 (44)	2,360 (46.5)	2,730 (51.5)	2,680 (54.5)	2,410 (58.5)
100	1,760 (38.5)	1,900 (40.5)	1,990 (42.5)	2,450 (48.5)	2,570 (52)	2,380 (55.5)
105	1,390 (34)	1,510 (36)	1,560 (38)	2,070 (46)	2,340 (49)	2,310 (52.5)
110	1,050 (29.5)	1,150 (31)		1,700 (42.5)	1,960 (46)	2,170 (49.5)
115				1,360 (39.5)	1,610 (42.5)	1,780 (46)
120				1,050 (36)	1,300 (38.5)	1,430 (42)
125					1,010 (34.5)	1,110 (37.5)
Min. boom angle for indicated length (no load)	25.5°	25.5°	33°	33°	31.5°	32.5°
Max. boom length at 0° boom angle (no load)	80 ft.			80 ft.		

#LMI operating code. Refer to LMI manual for instructions.
*This capacity based on maximum boom angle.

NOTES:

- All capacities above the bold line are based on structural strength of boom extension.
- 26 ft. and 45 ft. tele. extension lengths may be used for single line lifting service.
- Radii listed are for a fully extended boom with the boom extension erected. For main boom lengths less than fully extended, the rated loads are determined by boom angle. Use only the column which corresponds to the boom extension length and offset for which the machine is configured. For boom angles not shown, use the rating of the next lower boom angle.
WARNING: Operation of this machine with heavier loads than the capacities listed is strictly prohibited. Machine tipping with boom extension occurs rapidly and without advance warning.
- Boom angle is the angle above or below horizontal of the longitudinal axis of the boom base section after lifting rated load.
- Capacities listed are with outriggers properly extended and vertical jacks set only.
- When lifting over the main boom nose with 26 ft. or 45 ft. tele. extension erected, the outriggers must be fully extended or 50% extended (14' spread).

TM500E-2

GROVE

THIS CHART IS ONLY A GUIDE AND SHOULD NOT BE USED TO OPERATE THE CRANE. The individual crane's load chart, operating instructions and other instructional plates must be read and understood prior to operating the crane.

load charts

17



Feet	26 ft. LENGTH			45 ft. LENGTH		
	0° OFFSET	15° OFFSET	30° OFFSET	0° OFFSET	15° OFFSET	30° OFFSET
35	*10,200 (76)					
40	9,460 (73.5)	*7,770 (76)		*5,250 (76)		
45	8,760 (71)	7,370 (73)	*6,030 (76)	5,250 (74.5)		
50	8,150 (68.5)	6,870 (70.5)	5,780 (73.5)	5,050 (72.5)	3,660 (76)	
55	7,510 (66)	6,050 (68)	5,520 (71)	4,650 (70.5)	3,540 (73.5)	
60	6,700 (63.5)	5,350 (65.5)	5,290 (68)	4,290 (68)	3,430 (71.5)	*3,000 (76)
65	5,990 (60.5)	4,740 (63)	4,810 (65.5)	4,000 (66)	3,320 (69)	2,890 (73.5)
70	5,380 (58)	4,210 (60)	4,270 (62.5)	3,800 (63.5)	3,220 (67)	2,790 (71.5)
75	4,840 (55)	3,750 (57)	3,800 (59.5)	3,650 (61.5)	3,130 (64.5)	2,700 (69)
80	4,360 (52)	3,330 (54)	3,380 (56.5)	3,520 (59)	3,000 (62.5)	2,620 (66.5)
85	3,930 (49)	2,960 (51)	3,010 (53.5)	3,360 (56.5)	2,880 (60)	2,550 (64)
90	3,530 (45.5)	2,630 (48)	2,670 (50)	3,030 (54)	2,770 (57)	2,480 (61.5)
95	3,030 (42)	2,330 (44)	2,360 (46.5)	2,730 (51.5)	2,680 (54.5)	2,410 (58.5)
100	2,590 (38.5)	2,050 (40.5)	2,070 (42.5)	2,450 (48.5)	2,570 (52)	2,380 (55.5)
105	2,190 (34)	1,800 (36)	1,810 (38)	2,200 (46)	2,340 (49)	2,310 (52.5)
110	1,830 (29.5)	1,550 (31)		1,970 (42.5)	2,130 (46)	2,200 (49.5)
115	1,500 (23.5)	1,300 (25)		1,760 (39.5)	1,940 (42.5)	1,990 (46)
120	1,210 (14)			1,580 (36)	1,760 (38.5)	1,800 (42)
125				1,480 (32)	1,500 (34.5)	1,500 (37.5)
130				1,330 (27)	1,300 (30)	
135				1,100 (21)	1,170 (23.5)	
Min. boom angle for indicated length (no load)	10°	15°	30°	15°	15°	30°
Max. boom length at 0° boom angle (no load)	80 ft.			80 ft.		

NOTE: () Boom angles are in degrees.
 #LMI operating code. Refer to LMI manual for instructions.
 *This capacity based on maximum boom angle. 80001676

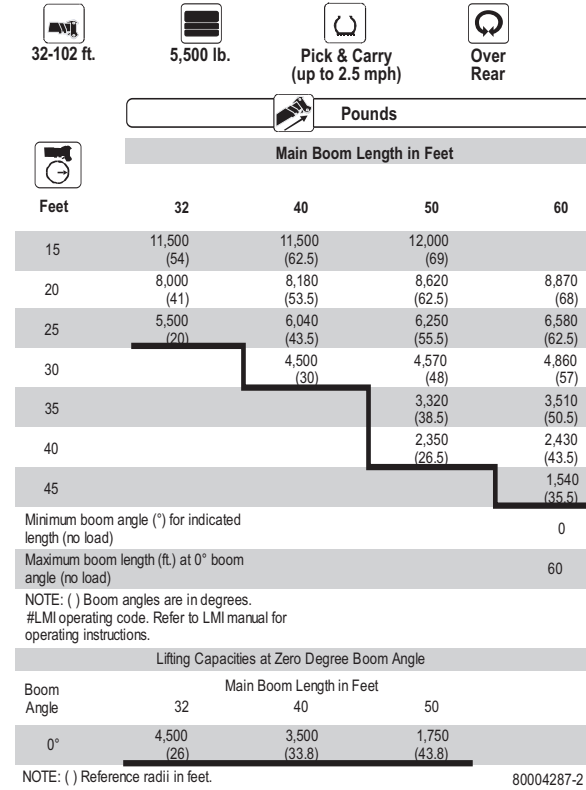
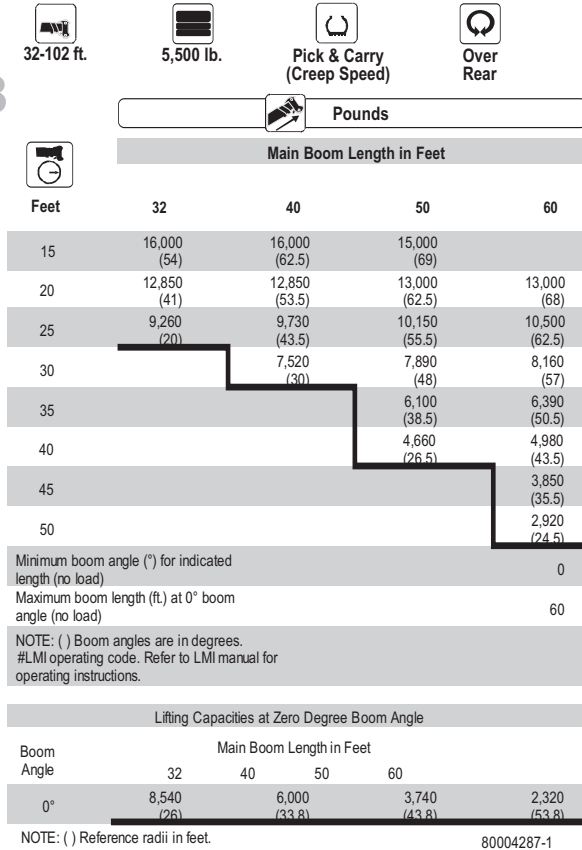
NOTES:

- All capacities above the bold line are based on structural strength of boom extension.
- 26 ft. and 45 ft. tele. extension lengths may be used for single line lifting service.
- Radii listed are for a fully extended boom with the boom extension erected. For main boom lengths less than fully extended, the rated loads are determined by boom angle. Use only the column which corresponds to the boom extension length and offset for which the machine is configured. For boom angles not shown, use the rating of the next lower boom angle.
WARNING: Operation of this machine with heavier loads than the capacities listed is strictly prohibited. Machine tipping with boom extension occurs rapidly and without advance warning.
- Boom angle is the angle above or below horizontal of the longitudinal axis of the boom base section after lifting rated load.
- Capacities listed are with outriggers properly extended and vertical jacks set only.
- When lifting over the main boom nose with 26 ft. or 45 ft. tele. extension erected, the outriggers must be fully extended or 50% extended (14' spread).

TM500E-2

load charts

18



NOTES:

- Capacities are in pounds and do not exceed 75% of tipping loads as determined by test in accordance with SAE J765.
- Capacities are based on rear tire size of 11R22.5 (G load range - 14 ply) at 105 psi cold inflation pressure.
- Capacities appearing above the bold line are based on structural strength and tipping should not be relied upon as a capacity limitation.
- All rubber lifting depends on proper tire inflation, capacity and condition. Capacities must be reduced for lower tire inflation pressure. Damaged tires are hazardous to safe operation of crane.
- Capacities are applicable only with machine on firm level surface and with mechanical swing lock engaged.
- On rubber lifting with boom extension is not permitted.
- For 2.5 mph pick and carry operation boom must be centered over rear of machine, mechanical swing lock engaged and load restrained from swinging. When handling loads in the structural range, travel should be reduced to creep speed.
- Lifting over side on rubber is not permitted.
- WARNING:** Prior to any 'on rubber' operation, extend outrigger beams (fully or 50%), extend jack cylinders and level crane. Swing boom directly over rear and engage swing lock. Outrigger jack cylinders may then be retracted for on rubber operation. Do not rotate superstructure over the side while on rubber.
- Creep - not over 200 ft. of movement in any 30 minute period and not exceeding 2.5 mph.
- Air bags must be deflated when lifting on rubber.

TM500E-2

load handling

19

Weight Reductions for Load Handling Devices

26 ft. Offsettable Boom Extension	
*Erected	2,300 lb.
26 ft. - 45 ft. Tele. Boom Extension	
*Erected (Retracted)	3,260 lb.
*Erected (Extended)	4,380 lb.

*Reduction of main boom capacities

When lifting over boom extension, deduct total weight of all load handling devices reeved over main boom nose directly from boom extension capacity.

Auxiliary Boom Nose	105 lb.
---------------------	---------

Hookblocks and Headache Balls:

40 Ton, 4 Sheave (CE)	774 lb. +
40 Ton, 3 Sheave (14" sheave) (CE)	623 lb. +
40 Ton, 3 Sheave (12" sheave)	600 lb. +
25 Ton 3 Sheave	550 lb. +
7.5 Ton Overhaul Ball	369 lb. +

+ Refer to rating plate for actual weight.

NOTE: All load handling devices and boom attachments are considered part of the load and suitable allowances MUST BE MADE for their combined weights. Weights are for Grove furnished equipment.

Line Pulls and Reeving Information

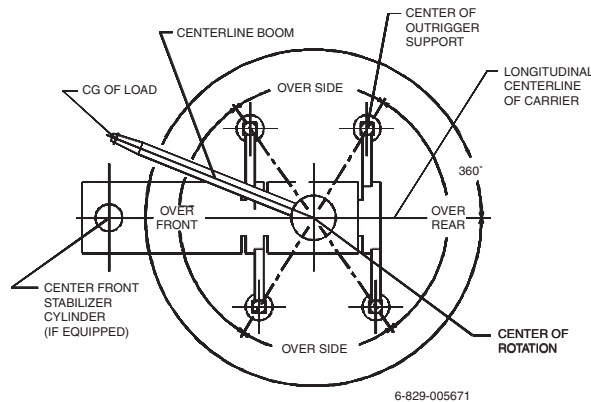
Hoists	Cable Specs.	Permissible Line Pulls	Nominal Cable Length
Main	5/8" (16 mm) 6x37 Class, EIPS, IWRC Special Flexible Min. Breaking Strength 41,200 lb.	11,640 lb.	450 ft.
	5/8" (16 mm) Flex-X 35 Rotation Resistant (Non-rotating) Min. Breaking Strength 61,200 lb.	11,640 lb.	450 ft.

The approximate weight of 5/8" wire rope is 1.0 lb./ft.

Wire Rope Layer	Hoist Line Pulls Available lb.*	Drum Rope Capacity (ft.)	
		Layer	Total
1	11,640	77	77
2	10,480	85	162
3	9,530	94	256
4	8,730	102	358
5	8,060	111	469
6	7,490	119	588

*Max. lifting capacity: 6x37 or 35x7 class = 11,640 lb.

Working Area Diagram



Bold lines determine the limiting position of any load for operation within working areas indicated.

THIS CHART IS ONLY A GUIDE AND SHOULD NOT BE USED TO OPERATE THE CRANE. The individual crane's load chart, operating instructions and other instructional plates must be read and understood prior to operating the crane.

TM500E-2

GROVE

Regional Headquarters

Americas

Manitowoc, Wisconsin, USA

Tel: +1 920 684 6621

Fax: +1 920 683 6278

Shady Grove, Pennsylvania, USA

Tel: +1 717 597 8121

Fax: +1 717 597 4062

Regional Offices

Americas

Brazil

Alphaville

Tel: +55 11 3103 0200

Fax: +55 11 4688 2013

Mexico

Monterrey

Tel: +52 81 8124 0128

Fax: +52 81 8124 0129

Europe, Middle East, Africa

Algeria

Hydra

Tel: +21 3 21 48 1173

Fax: +21 3 21 48 1454

Czech Republic

Netvorice

Tel: +420 317 78 9313

Fax: +420 317 78 9314

France

Baudemont

Tel: +33 385 28 2589

Fax: +33 385 28 0430

Cergy

Tel: +33 130 31 3150

Fax: +33 130 38 6085

Decines

Tel: +33 472 81 5000

Fax: +33 472 81 5010

Germany

Langenfeld

Tel: +49 21 73 8909-0

Fax: +49 21 73 8909 30

Hungary

Budapest

Tel: +36 13 39 8622

Fax: +36 13 39 8622

Italy

Parabiago

Tel: +390 331 49 3311

Fax: +390 331 49 3330

Europe, Middle East, Africa

Ecully, France

Tel: +33 472 18 2020

Fax: +33 472 18 2000

Netherlands

Breda

Tel: +31 76 578 3999

Fax: +31 76 578 3978

Poland

Warsaw

Tel: +48 22 843 3824

Fax: +48 22 843 3471

Portugal

Alfena

Tel: +351 229 69 8840

Fax: +351 229 69 8848

Lisbon

Tel: +351 212 109 340

Fax: +351 212 109 349

Russia

Moscow

Tel: +7 495 641 2359

Fax: +7 495 641 2358

U.A.E.

Dubai

Tel: +971 4 3381 861

Fax: +971 4 3382 343

U. K.

Middlesex

Tel: +44 1 895 43 0053

Fax: +44 1 895 45 9500

Sunderland

Tel: +44 191 522 2000

Fax: +44 191 522 2052

Asia – Pacific

Australia

Melbourne

Tel: +61 3 9 336 1300

Fax: +61 3 9 336 1322

Sydney

Tel: +61 2 9 896 4433

Fax: +61 2 9 896 3122

Asia – Pacific

Shanghai, China

Tel: +86 21 51113579

Fax: +86 21 51113578

Singapore

Tel: +65 6264 1188

Fax: +65 6862 4142

China

Beijing

Tel: +86 10 58674761

Fax: +86 10 58674760

Xi'an

Tel: +86 29 87891465

Fax: +86 29 87884504

Korea

Seoul

Tel: +82 2 3439 0400

Fax: +82 2 3439 0405

Philippines

Makati City

Tel: +63 2 844 9437

Fax: +63 2 844 4712

Factories

Brazil

Alphaville

China

Zhangjiagang

France

Charlieu

La Clayette

Moulins

Germany

Wilhelmshaven

India

Calcutta

Pune

Italy

Niella Tanaro

Portugal

Baltar

Fânzeres

Slovakia

Saris

U.S.A.

Manitowoc

Port Washington

Shady Grove



Constant improvement and engineering progress make it necessary that we reserve the right to make specification, equipment and price changes without notice. Illustrations shown may include optional equipment and accessories, and may not include all standard equipment.