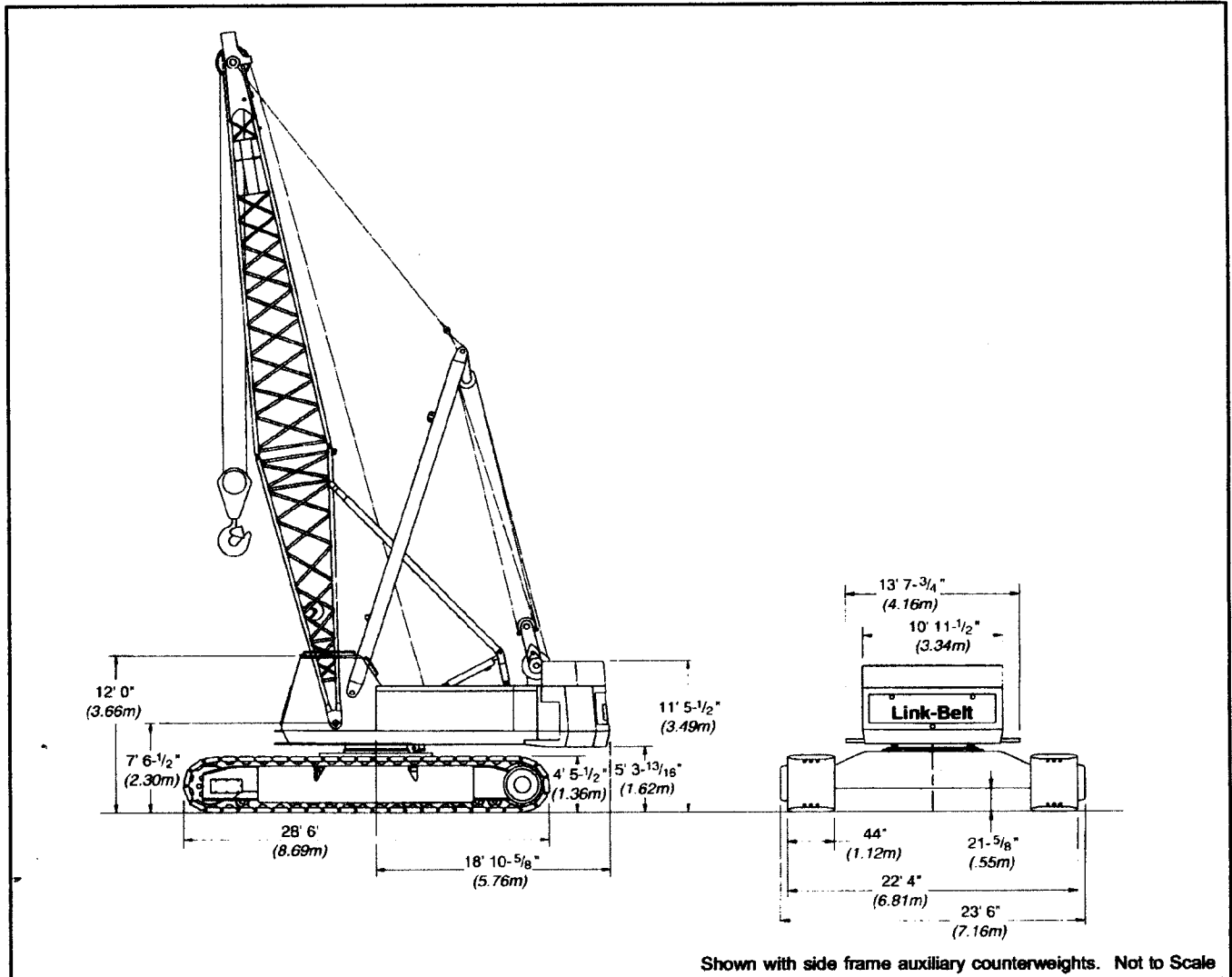


# Specifications

Hydraulic Lattice Boom Crawler Crane

## LS-248H II

200-Ton (181.50 metric ton)



Shown with side frame auxiliary counterweights. Not to Scale

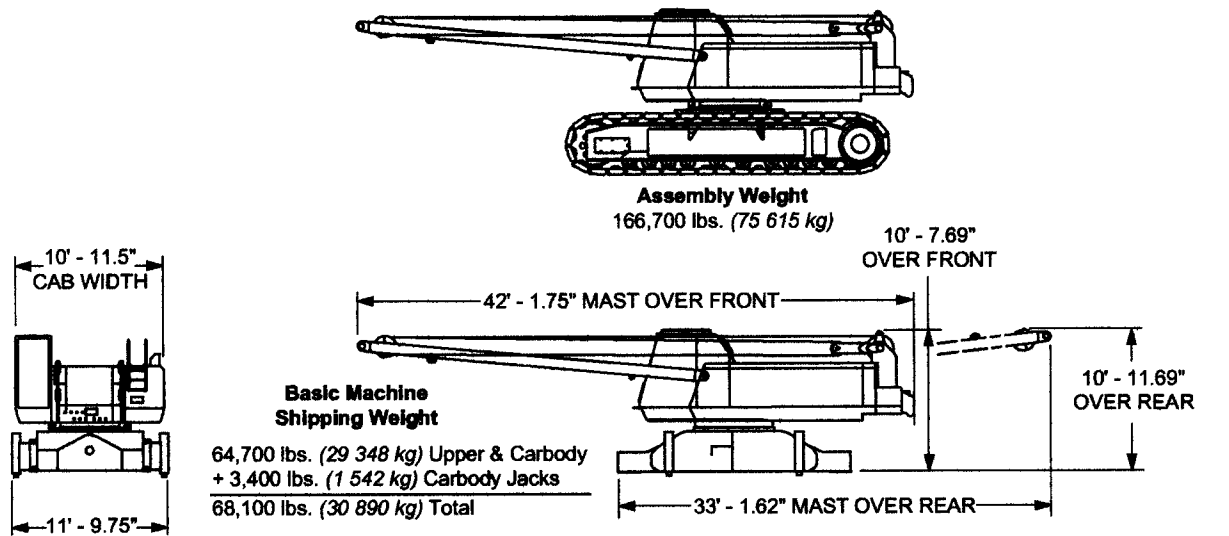
General dimensions	feet	meters
Basic boom length	50	15.24
Overall width of machine with 44" (1.12 m) track shoes	22.5	6.85
Overall width of cab w/catwalks both sides	13.64	4.15
Overall width of cab less catwalks	10.95	3.34

General dimensions	feet	meters
Tailswing of counterweight "A"	16.80	5.12
Tailswing of counterweight "AB"	18.89	5.76
Tailswing of counterweight "ABC"	18.89	5.76
Overall height for transport w/boom base	13.31	4.05
Overall height for transport w/live mast only	13.31	4.05

# Machine Working Weights - approximate

Based on standard machine with Isuzu A-6SD1TQB-01 diesel engine, turntable bearing, independent hydraulic powered drums, boomhoist limiting device, independent hydraulic swing and travel, swing brake, drum rotation indicators, and 18' 10" (5.74 m) gauge by 28' 8" (8.69 m) long crawler lower with 44" (1.12 m) wide track shoes, track rollers with dirt seals, 48,000 lb. (21 772 kg) side frame auxiliary counterweights, catwalks, hydraulic boomfoot pin removal, plus the following:	Equipped with upper ctwt. "A" + side frame ctwts.		Equipped with upper ctwt. "AB" + side frame ctwts.		Equipped with upper ctwt. "ABC" + side frame ctwts.	
	lbs.	kg	lbs.	kg	lbs.	kg
Lifting Crane - includes 50' (15.24 m) basic tubular boom, 30' (9.14 m) live mast, 1,050' (320.04 m) of 1" (25 mm) diameter wire rope, 715' (217.93 m) of 7/8" (22 mm) diameter boomhoist rope, 175-ton (159 mt) hookblock, and basic pendants.	224,560	101 860	269,300	122 154	298,260	135 290

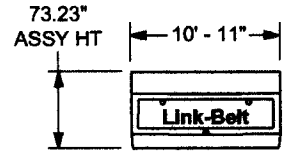
# Transport Weights and Dimensions - ±3%



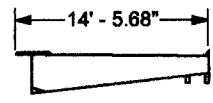
**"C" Upper Counterweight**  
28,960 lbs. (13 136 kg)

**"A" Upper Counterweight**  
22,730 lbs. (10 310 kg)

**"B" Upper Counterweight**  
44,740 lbs. (20 294 kg)



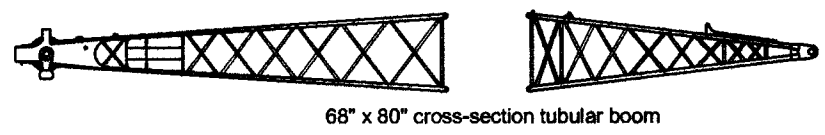
**"ABC" Counterweight Assembly**



**Counterweight Assist Frame**  
4,900 lbs. (2 223 kg)  
(not included in basic machine weight)

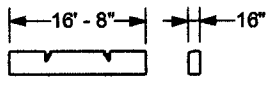


**Tread Members**  
36,600 lbs. (16 602 kg) each  
*44000 50" shoe*



**30' (9.14 m) Peak Section**  
4,130 lbs. (1 873 kg)

**20' (6.10 m) Base Section**  
4,650 lbs. (2 109 kg) - w/o third drum winch assembly  
9,830 lbs. (4 459 kg) - w/third drum winch assembly



**Side Frame Auxiliary Counterweights (2)**  
24,000 lbs. (10 886 kg) each  
(not included in basic machine weight)

Optional Boom Sections	
10' (3.05 m) boom extension	840 lbs. (381 kg)
20' (6.10 m) boom extension	1,680 lbs. (762 kg)
30' (9.14 m) boom extension	2,520 lbs. (1 143 kg)
40' (12.19 m) boom extension	3,360 lbs. (1 524 kg)



**30' (9.14 m) Jib Assembly**  
1,900 lbs. (862 kg)