

# Jib Capacities

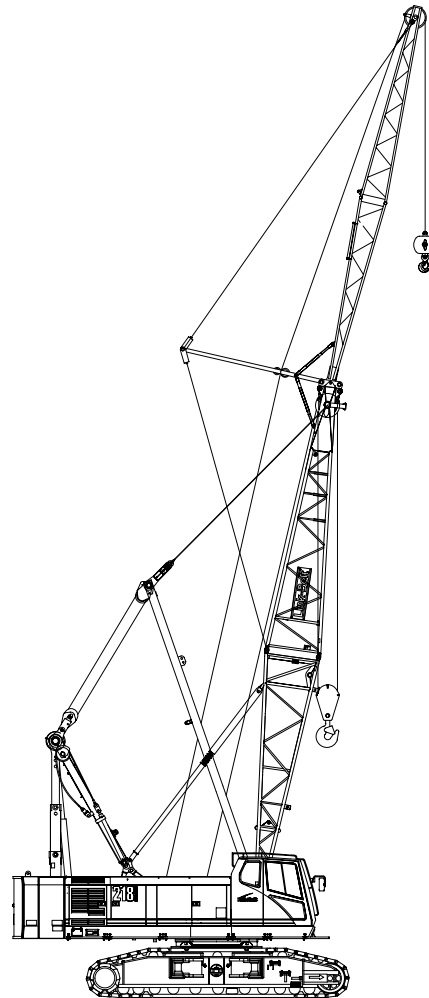
Lattice Boom Crawler Crane

## 218 HYLAB 5

110-ton\* (99.8 metric ton)

### Tube Boom + Jib

- 40'–190' (12.19–57.91m) Tube Boom with 30'–75' (9.14–22.86m) of Jib
- 200' (60.96m) Tube Boom with 30' (9.14m) or 45' (13.7m) of Jib
- 20' (6.10m) Open Throat Top Section with 24" (0.61m) Wide x 32" (0.81m) Deep Jib
- Extended Side Frames
- Over End Blocked Capacities
- 360° Capacities
- "AB" Counterweight
- 20' 10.5" (6.36m) Crawler Length

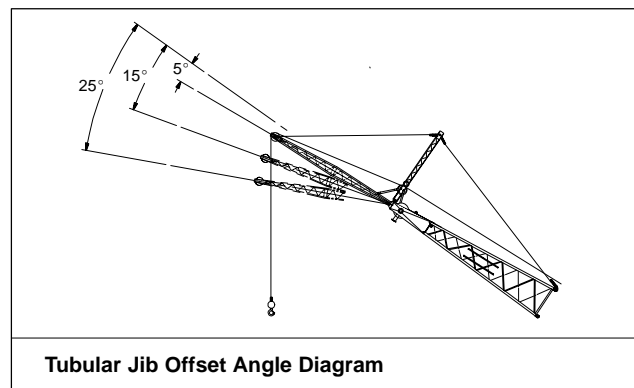
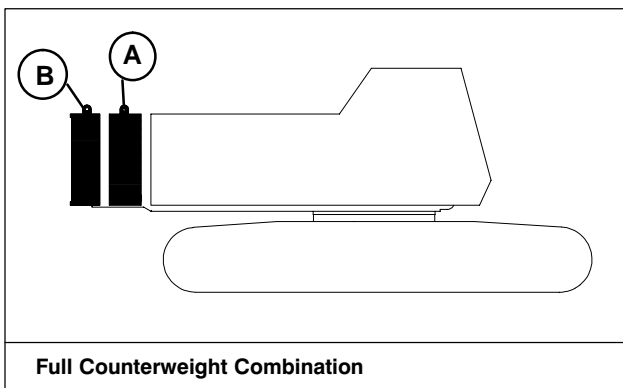


\* Nominal capacity rating may vary based on specification. Tube boom capacity with 4 sheave head machinery is 100-ton (90mt). Tube boom capacity with optional 3 sheave head machinery and "CASAR™" rope is 100-ton (90.7mt).

**CAUTION: This material is supplied for reference use only. Operator must refer to in-cab Crane Rating Manual to determine allowable crane lifting capacities and operating procedures.**

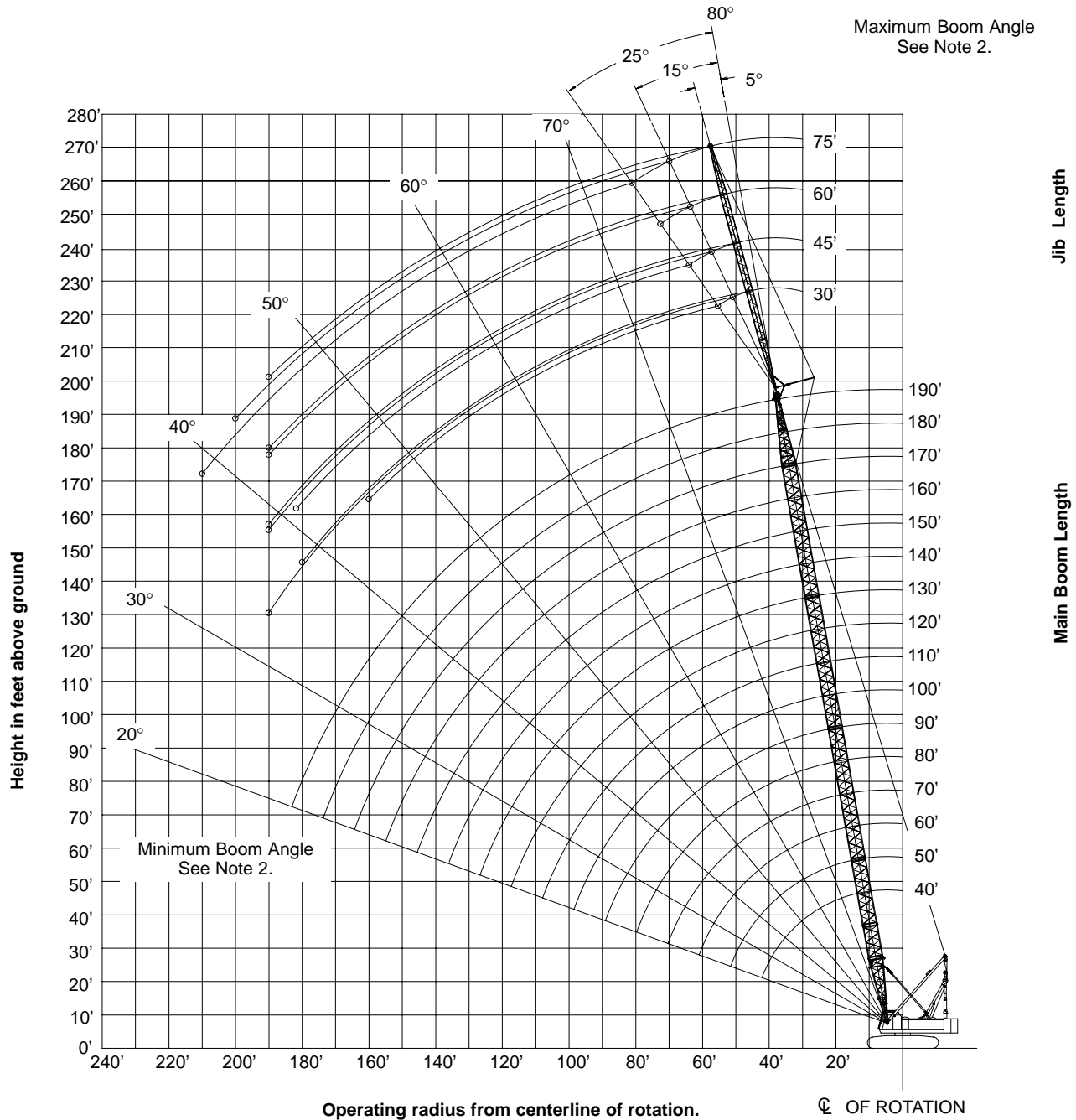
## TUBULAR JIB NOTES FOR TUBE BOOM

1. Capacities are for a 218 HYLAB 5 crawler crane with “AB” counterweight.
2. Separate capacity charts are listed for 360° and for over end blocked crawler working areas. Verify operating conditions as described on the Working Area Chart found in the general information section of the Crane Rating Manual. Apply the appropriate lift capacity chart based on the working area and the specific operating conditions.
3. Over end blocked capacities can be lifted over either end with the crane standing level on a firm supporting surface. Adequate blocking must be placed under both side frame sprockets (or idler rollers) at the end that the load is to be lifted to prevent rocking. The ramps supplied with the crane are considered to be adequate blocking.
4. Capacities are for side frames in the extended position only and are based on the crane standing level on a firm supporting surface.
5. Capacities are limited to a LBCE 50” x 60” tube boom with an open throat and a LBCE 12 ton, 24” x 32” cross section tube jib with a 11’ 6” high jib mast properly assembled.
6. Two parts of 1” Diameter Type “RB” wire rope are required for maximum lift.
7. Capacities are for 30’, 45’, 60’, and 75’ jib lengths only.
8. Maximum boom plus jib combination is 190’ + 75’ or 200’ + 45’. The only jib lengths available on the 200’ tube boom are 30’ and 45’.
9. The least stable condition is over the side.
10. All capacities are listed in pounds and are not more than 75% of the tipping loads. Capacities with an asterisk are governed by factors other than those that would cause a tipping condition.
11. A deduction must be made from the jib capacities for the weight of the following: Main boom hook block or hook ball, jib hook block or hook ball, slings, grapple, etc.



# WORKING RANGE DIAGRAM

## 40' TO 190' MAIN BOOM WITH 30' TO 75' JIB

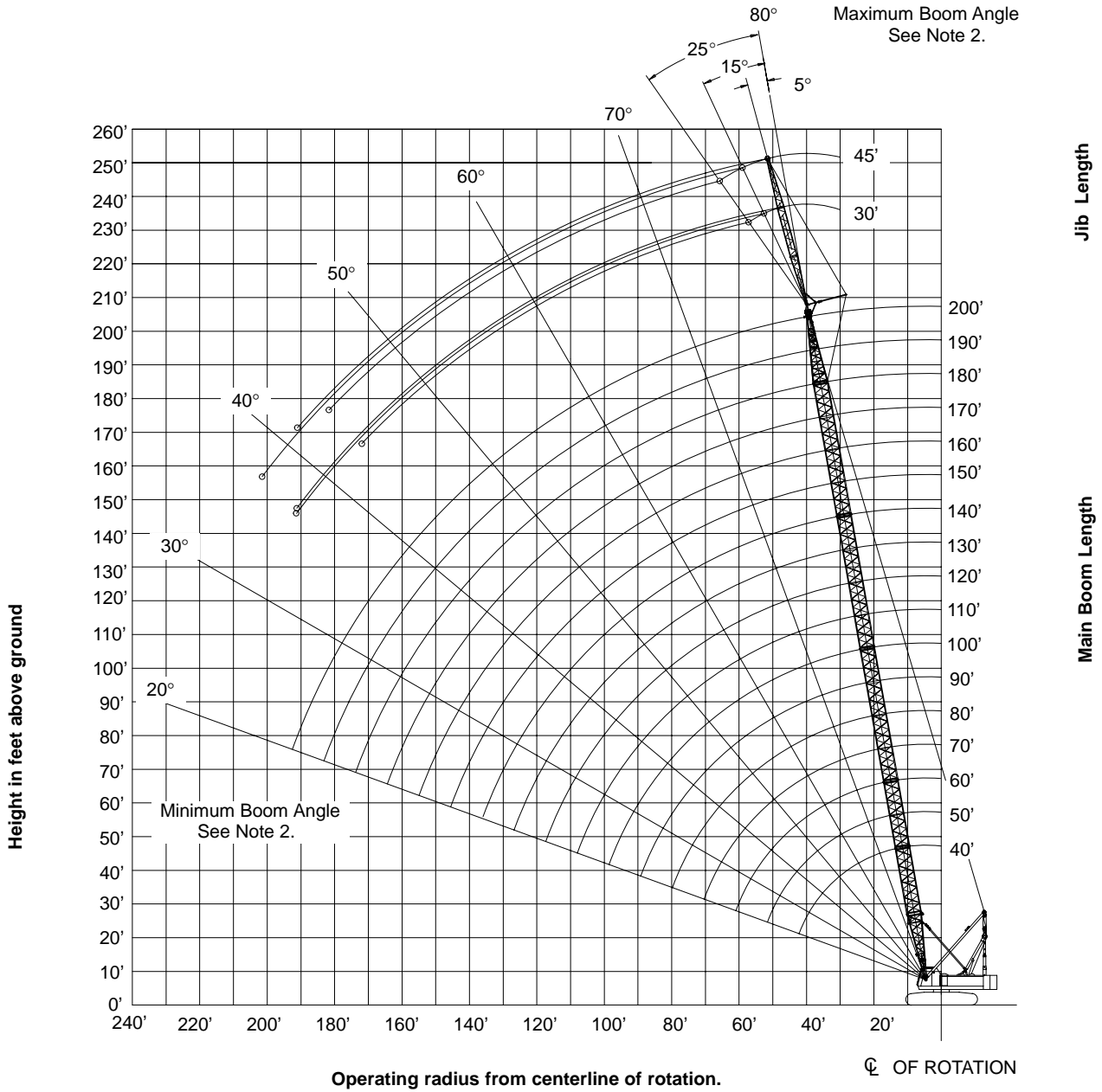


**Notes:**

1. Boom geometry shown is for unloaded condition and crane standing level on firm supporting surface. Boom deflection, subsequent radius, and boom angle change must be accounted for when applying load to hook.
2. Maximum and minimum boom angles are equal to the values listed in the capacity chart for each boom length.

# WORKING RANGE DIAGRAM

## 200' MAIN BOOM WITH 30' AND 45' JIB



**Notes:**

1. Boom geometry shown is for unloaded condition and crane standing level on firm supporting surface. Boom deflection, subsequent radius, and boom angle change must be accounted for when applying load to hook.
2. Maximum and minimum boom angles are equal to the values listed in the capacity chart for each boom length.





**218 HYLAB 5 - w/ 50" x 60" Tube Boom, w/ 24" x 32" Tube Jib, w/ "AB" Ctw**

Refer to the Tubular Jib Notes for Open Throat Boom in the Crane Rating Manual before operating the crane.

Boom Length (ft)	Jib Length (ft)	Jib Load Radius (ft)	Jib Angle to Boom												Jib Load Radius (ft)		
			5 Degrees				15 Degrees				25 Degrees						
			Boom Angle (deg)	Jib Point Height (ft)	Over End Capacity (lbs)	Jib Capacity (lbs)	Boom Angle (deg)	Jib Point Height (ft)	Over End Capacity (lbs)	Jib Capacity (lbs)	Boom Angle (deg)	Jib Point Height (ft)	Over End Capacity (lbs)	Jib Capacity (lbs)			
60	60	30.93	80.0	126.7	24,000 *	24,000 *											30.93
60	60	35	78.0	125.8	22,400 *	22,400 *											35
60	60	40	75.6	124.4	22,100 *	22,100 *											40
60	60	50	70.6	120.8	17,200 *	17,200 *	75.4	119.8	12,700 *	12,700 *	79.9	117.8	9,400 *	9,400 *			50
60	60	60	65.5	116.3	14,000 *	14,000 *	70.2	115.3	10,800 *	10,800 *	74.6	113.2	8,200 *	8,200 *			60
60	60	70	60.1	110.6	11,800 *	11,800 *	64.7	109.5	9,300 *	9,300 *	69.0	107.3	7,300 *	7,300 *			70
60	60	80	54.3	103.5	10,200 *	10,200 *	58.9	102.4	8,200 *	8,200 *	63.1	100.0	6,500 *	6,500 *			80
60	60	90	48.1	94.8	8,900 *	8,900 *	52.6	93.5	7,400 *	7,400 *	56.6	90.8	5,900 *	5,900 *			90
60	60	100	41.1	83.7	8,000 *	8,000 *	45.4	82.2	6,700 *	6,700 *	49.2	79.2	5,500 *	5,500 *			100
60	60	110	32.8	69.2	7,200 *	7,200 *	36.9	67.3	6,100 *	6,100 *							110
60	75	34.81	80.0	141.2	20,400 *	20,400 *											34.81
60	75	35	79.9	141.2	20,300 *	20,300 *											35
60	75	40	77.8	139.9	18,100 *	18,100 *											40
60	75	50	73.4	136.9	14,200 *	14,200 *	78.7	135.8	10,400 *	10,400 *							50
60	75	60	68.9	132.9	11,600 *	11,600 *	74.2	131.8	8,800 *	8,800 *	79.3	129.5	6,600 *	6,600 *			60
60	75	70	64.2	128.0	9,800 *	9,800 *	69.5	126.8	7,600 *	7,600 *	74.5	124.4	5,800 *	5,800 *			70
60	75	80	59.4	122.0	8,400 *	8,400 *	64.6	120.8	6,700 *	6,700 *	69.4	118.3	5,100 *	5,100 *			80
60	75	90	54.2	114.7	7,300 *	7,300 *	59.3	113.4	5,900 *	5,900 *	64.1	110.8	4,600 *	4,600 *			90
60	75	100	48.6	106.0	6,500 *	6,500 *	53.7	104.5	5,300 *	5,300 *	58.3	101.6	4,200 *	4,200 *			100
60	75	110	42.5	95.2	5,800 *	5,800 *	47.4	93.5	4,800 *	4,800 *	51.8	90.2	3,900 *	3,900 *			110
60	75	120	35.4	81.5	5,300 *	5,300 *	40.2	79.6	4,400 *	4,400 *							120
60	75	130	26.6	62.9	4,800 *	4,800 *											130
70	30	24.9	80.0	107.6	24,000 *	24,000 *											24.9
70	30	25	79.9	107.6	24,000 *	24,000 *											25
70	30	30	77.1	106.4	24,000 *	24,000 *	79.9	105.8	24,000 *	24,000 *							30
70	30	35	74.2	105.0	24,000 *	24,000 *	77.0	104.3	24,000 *	24,000 *	79.6	103.0	20,900 *	20,900 *			35
70	30	40	71.2	103.3	24,000 *	24,000 *	74.0	102.6	24,000 *	24,000 *	76.6	101.3	19,500 *	19,500 *			40
70	30	50	65.1	99.0	24,000 *	24,000 *	67.8	98.3	22,600 *	22,600 *	70.3	96.8	17,300 *	17,300 *			50
70	30	60	58.6	93.3	24,000 *	24,000 *	61.3	92.5	21,200 *	21,200 *	63.7	91.0	15,700 *	15,700 *			60
70	30	70	51.7	86.0	22,700 *	22,000 *	54.3	85.1	18,600 *	18,600 *	56.5	83.4	14,400 *	14,400 *			70
70	30	80	43.9	76.4	20,300 *	18,400 *	46.4	75.4	16,500 *	16,500 *	48.5	73.5	13,400 *	13,400 *			80
70	30	90	34.8	63.5	17,800 *	15,600 *	37.1	62.4	15,100 *	15,100 *							90
70	45	28.79	80.0	122.1	24,000 *	24,000 *											28.79
70	45	30	79.4	121.8	24,000 *	24,000 *											30
70	45	35	76.9	120.6	24,000 *	24,000 *											35
70	45	40	74.3	119.1	24,000 *	24,000 *	78.0	118.2	20,800 *	20,800 *							40
70	45	50	69.1	115.5	22,600 *	22,600 *	72.8	114.5	17,200 *	17,200 *	76.2	112.7	12,600 *	12,600 *			50
70	45	60	63.7	110.7	19,400 *	19,400 *	67.3	109.7	14,700 *	14,700 *	70.6	107.8	11,100 *	11,100 *			60
70	45	70	58.0	104.7	16,400 *	16,400 *	61.5	103.6	12,800 *	12,800 *	64.8	101.6	10,000 *	10,000 *			70
70	45	80	51.8	97.1	14,100 *	14,100 *	55.3	96.0	11,400 *	11,400 *	58.4	93.8	9,100 *	9,100 *			80
70	45	90	45.1	87.6	12,400 *	12,400 *	48.5	86.4	10,300 *	10,300 *	51.4	83.9	8,400 *	8,400 *			90
70	45	100	37.4	75.4	11,100 *	11,100 *	40.6	74.0	9,400 *	9,400 *							100
70	45	110	27.8	58.6	10,100 *	10,100 *											110
70	60	32.67	80.0	136.6	24,000 *	24,000 *											32.67
70	60	35	79.0	136.0	23,700 *	23,700 *											35
70	60	40	76.7	134.8	22,600 *	22,600 *											40
70	60	50	72.2	131.5	18,400 *	18,400 *	76.5	130.5	13,200 *	13,200 *							50
70	60	60	67.5	127.4	15,100 *	15,100 *	71.8	126.3	11,300 *	11,300 *	75.9	124.1	8,500 *	8,500 *			60

**218 HYLAB 5 - w/ 50" x 60" Tube Boom, w/ 24" x 32" Tube Jib, w/ "AB" Ctw**

Refer to the Tubular Jib Notes for Open Throat Boom in the Crane Rating Manual before operating the crane.

Boom Length (ft)	Jib Length (ft)	Jib Load Radius (ft)	Jib Angle to Boom												Jib Load Radius (ft)
			5 Degrees				15 Degrees				25 Degrees				
			Boom Angle (deg)	Jib Point Height (ft)	Over End Capacity (lbs)	360° Jib Capacity (lbs)	Boom Angle (deg)	Jib Point Height (ft)	Over End Capacity (lbs)	360° Jib Capacity (lbs)	Boom Angle (deg)	Jib Point Height (ft)	Over End Capacity (lbs)	360° Jib Capacity (lbs)	
70	60	70	62.6	122.3	12,700 *	12,700 *	66.9	121.1	9,800 *	9,800 *	70.9	118.8	7,500 *	7,500 *	70
70	60	80	57.5	116.0	11,000 *	11,000 *	61.7	114.7	8,700 *	8,700 *	65.6	112.3	6,800 *	6,800 *	80
70	60	90	52.0	108.3	9,700 *	9,700 *	56.2	107.0	7,800 *	7,800 *	59.9	104.3	6,200 *	6,200 *	90
70	60	100	46.0	98.9	8,600 *	8,600 *	50.1	97.4	7,100 *	7,100 *	53.7	94.5	5,700 *	5,700 *	100
70	60	110	39.3	87.1	7,800 *	7,800 *	43.3	85.5	6,500 *	6,500 *	46.6	82.1	5,400 *	5,400 *	110
70	60	120	31.4	71.8	7,100 *	7,100 *	35.1	69.7	6,100 *	6,100 *					120
70	75	36.55	80.0	151.1	20,200 *	20,200 *									36.55
70	75	40	78.6	150.3	19,100 *	19,100 *									40
70	75	50	74.6	147.4	15,100 *	15,100 *	79.5	146.2	10,800 *	10,800 *					50
70	75	60	70.4	143.7	12,400 *	12,400 *	75.3	142.5	9,200 *	9,200 *					60
70	75	70	66.1	139.2	10,400 *	10,400 *	71.0	138.0	7,900 *	7,900 *	75.7	135.5	5,900 *	5,900 *	70
70	75	80	61.7	133.8	9,000 *	9,000 *	66.5	132.5	7,000 *	7,000 *	71.1	129.9	5,300 *	5,300 *	80
70	75	90	57.1	127.2	7,900 *	7,900 *	61.8	125.9	6,200 *	6,200 *	66.3	123.1	4,800 *	4,800 *	90
70	75	100	52.1	119.4	7,000 *	7,000 *	56.8	118.0	5,600 *	5,600 *	61.2	115.0	4,400 *	4,400 *	100
70	75	110	46.8	110.1	6,300 *	6,300 *	51.4	108.5	5,100 *	5,100 *	55.6	105.2	4,000 *	4,000 *	110
70	75	120	40.9	98.7	5,700 *	5,700 *	45.4	96.9	4,700 *	4,700 *	49.3	93.2	3,800 *	3,800 *	120
70	75	130	34.1	84.4	5,200 *	5,200 *	38.4	82.2	4,400 *	4,400 *					130
70	75	140	25.6	65.0	4,800 *	4,800 *									140
80	30	26.64	80.0	117.4	24,000 *	24,000 *									26.64
80	30	30	78.2	116.7	24,000 *	24,000 *									30
80	30	35	75.6	115.4	24,000 *	24,000 *	78.2	114.7	24,000 *	24,000 *					35
80	30	40	72.9	113.9	24,000 *	24,000 *	75.5	113.2	24,000 *	24,000 *	77.9	111.8	20,000 *	20,000 *	40
80	30	50	67.5	110.0	24,000 *	24,000 *	70.0	109.3	23,100 *	23,100 *	72.3	107.8	17,900 *	17,900 *	50
80	30	60	61.7	105.0	24,000 *	24,000 *	64.2	104.2	22,600 *	22,600 *	66.4	102.7	16,200 *	16,200 *	60
80	30	70	55.7	98.6	22,700 *	21,800 *	58.1	97.8	19,900 *	19,900 *	60.2	96.1	14,900 *	14,900 *	70
80	30	80	49.1	90.5	21,200 *	18,200 *	51.4	89.6	17,700 *	17,700 *	53.4	87.8	13,900 *	13,900 *	80
80	30	90	41.7	80.2	18,100 *	15,400 *	44.0	79.1	16,100 *	15,600 *	45.8	77.1	13,100 *	13,100 *	90
80	30	100	33.1	66.4	15,600 *	13,300 *	35.2	65.2	14,800 *	13,400 *					100
80	45	30.52	80.0	131.9	24,000 *	24,000 *									30.52
80	45	35	77.9	130.9	24,000 *	24,000 *									35
80	45	40	75.6	129.6	24,000 *	24,000 *	79.0	128.7	21,600 *	21,600 *					40
80	45	50	70.8	126.2	22,600 *	22,600 *	74.2	125.3	18,000 *	18,000 *	77.4	123.4	13,000 *	13,000 *	50
80	45	60	65.9	121.9	21,000 *	21,000 *	69.3	120.9	15,400 *	15,400 *	72.4	119.0	11,500 *	11,500 *	60
80	45	70	60.8	116.5	17,700 *	17,700 *	64.1	115.5	13,500 *	13,500 *	67.1	113.4	10,400 *	10,400 *	70
80	45	80	55.4	109.8	15,300 *	15,300 *	58.6	108.7	12,100 *	12,100 *	61.5	106.5	9,500 *	9,500 *	80
80	45	90	49.6	101.6	13,500 *	13,500 *	52.7	100.5	10,900 *	10,900 *	55.5	98.0	8,700 *	8,700 *	90
80	45	100	43.1	91.5	12,000 *	12,000 *	46.2	90.2	10,000 *	10,000 *	48.8	87.4	8,200 *	8,200 *	100
80	45	110	35.8	78.6	10,900 *	10,900 *	38.7	77.0	9,200 *	9,200 *					110
80	45	120	26.6	60.8	10,000 *	10,000 *									120
80	60	34.4	80.0	146.4	24,000 *	24,000 *									34.4
80	60	35	79.8	146.3	24,000 *	24,000 *									35
80	60	40	77.7	145.1	22,600 *	22,600 *									40
80	60	50	73.5	142.1	19,600 *	19,600 *	77.5	141.0	13,700 *	13,700 *					50
80	60	60	69.2	138.3	16,100 *	16,100 *	73.2	137.2	11,800 *	11,800 *	77.0	134.9	8,700 *	8,700 *	60
80	60	70	64.7	133.6	13,600 *	13,600 *	68.7	132.5	10,300 *	10,300 *	72.4	130.1	7,800 *	7,800 *	70
80	60	80	60.1	127.9	11,800 *	11,800 *	64.0	126.7	9,100 *	9,100 *	67.7	124.2	7,000 *	7,000 *	80
80	60	90	55.2	121.1	10,400 *	10,400 *	59.1	119.7	8,200 *	8,200 *	62.6	117.1	6,400 *	6,400 *	90
80	60	100	49.9	112.8	9,200 *	9,200 *	53.8	111.4	7,500 *	7,500 *	57.2	108.5	6,000 *	6,000 *	100
80	60	110	44.2	102.8	8,300 *	8,300 *	48.0	101.2	6,900 *	6,900 *	51.2	98.0	5,600 *	5,600 *	110







**218 HYLAB 5 - w/ 50" x 60" Tube Boom, w/ 24" x 32" Tube Jib, w/ "AB" Ctw**

Refer to the Tubular Jib Notes for Open Throat Boom in the Crane Rating Manual before operating the crane.

Boom Length (ft)	Jib Length (ft)	Jib Load Radius (ft)	Jib Angle to Boom												Jib Load Radius (ft)		
			5 Degrees				15 Degrees				25 Degrees						
			Boom Angle (deg)	Jib Point Height (ft)	Over End Capacity (lbs)	Jib Capacity (lbs)	360° Jib Capacity (lbs)	Boom Angle (deg)	Jib Point Height (ft)	Over End Capacity (lbs)	Jib Capacity (lbs)	360° Jib Capacity (lbs)	Boom Angle (deg)	Jib Point Height (ft)		Over End Capacity (lbs)	Jib Capacity (lbs)
110	60	160	27.2	81.4	6,800 *	5,900											160
110	75	43.5	80.0	190.5	19,500 *	19,500 *											43.5
110	75	50	78.0	189.0	18,200 *	18,200 *											50
110	75	60	74.8	186.2	15,200 *	15,200 *	78.6	184.7	10,300 *	10,300 *							60
110	75	70	71.5	182.7	12,900 *	12,900 *	75.4	181.3	9,100 *	9,100 *	79.0	178.4	6,500 *	6,500 *			70
110	75	80	68.2	178.7	11,200 *	11,200 *	72.0	177.2	8,100 *	8,100 *	75.6	174.2	5,900 *	5,900 *			80
110	75	90	64.8	173.9	9,900 *	9,900 *	68.6	172.4	7,300 *	7,300 *	72.2	169.3	5,400 *	5,400 *			90
110	75	100	61.3	168.4	8,800 *	8,800 *	65.1	166.8	6,700 *	6,700 *	68.5	163.6	5,000 *	5,000 *			100
110	75	110	57.7	162.0	7,900 *	7,900 *	61.4	160.4	6,100 *	6,100 *	64.8	157.0	4,600 *	4,600 *			110
110	75	120	53.9	154.7	7,200 *	7,200 *	57.6	153.0	5,600 *	5,600 *	60.9	149.5	4,300 *	4,300 *			120
110	75	130	49.9	146.3	6,600 *	6,600 *	53.5	144.4	5,200 *	5,200 *	56.7	140.7	4,000 *	4,000 *			130
110	75	140	45.6	136.6	6,100 *	6,100 *	49.2	134.6	4,900 *	4,900 *	52.2	130.6	3,800 *	3,800 *			140
110	75	150	41.0	125.2	5,600 *	5,600 *	44.5	123.0	4,600 *	4,600 *	47.4	118.6	3,600 *	3,600 *			150
110	75	160	35.8	111.6	5,200 *	5,200 *	39.2	109.1	4,300 *	4,300 *							160
110	75	170	29.9	94.9	4,900 *	4,900 *											170
120	30	33.59	80.0	156.8	24,000 *	24,000 *											33.59
120	30	35	79.5	156.6	24,000 *	24,000 *											35
120	30	40	77.5	155.4	24,000 *	24,000 *	79.4	154.7	24,000 *	24,000 *							40
120	30	50	73.6	152.7	24,000 *	24,000 *	75.5	151.9	24,000 *	24,000 *	77.2	150.4	19,600 *	19,600 *			50
120	30	60	69.6	149.2	24,000 *	24,000 *	71.5	148.4	23,500 *	23,500 *	73.2	146.8	18,100 *	18,100 *			60
120	30	70	65.5	144.9	24,000 *	20,900	67.3	144.0	22,100 *	21,200 *	69.0	142.4	16,800 *	16,800 *			70
120	30	80	61.3	139.6	20,400	17,300	63.1	138.8	20,000 *	17,600	64.7	137.1	15,700 *	15,700 *			80
120	30	90	56.8	133.4	17,200	14,500	58.6	132.5	17,400	14,800	60.1	130.8	14,800 *	14,800 *			90
120	30	100	52.2	126.0	14,700	12,400	53.9	125.1	14,900	12,600	55.3	123.2	14,100 *	12,700			100
120	30	110	47.1	117.2	12,700	10,600	48.8	116.2	12,900	10,800	50.2	114.2	13,000	10,900			110
120	30	120	41.7	106.6	11,100	9,200	43.3	105.5	11,200	9,300							120
120	30	130	35.5	93.6	9,700	8,000	37.0	92.3	9,800	8,100							130
120	30	140	28.1	76.9	8,500	7,000											140
120	45	37.47	80.0	171.3	24,000 *	24,000 *											37.47
120	45	40	79.1	170.8	24,000 *	24,000 *											40
120	45	50	75.6	168.3	24,000 *	24,000 *	78.2	167.3	20,800 *	20,800 *							50
120	45	60	72.0	165.1	22,500 *	22,500 *	74.5	164.1	18,200 *	18,200 *	76.9	162.0	12,800 *	12,800 *			60
120	45	70	68.3	161.3	20,000 *	20,000 *	70.8	160.2	16,100 *	16,100 *	73.2	158.0	11,700 *	11,700 *			70
120	45	80	64.5	156.6	17,700 *	17,500	67.0	155.5	14,500 *	14,500 *	69.3	153.3	10,700 *	10,700 *			80
120	45	90	60.6	151.1	15,900 *	14,800	63.1	150.0	13,100 *	13,100 *	65.3	147.6	10,000 *	10,000 *			90
120	45	100	56.5	144.7	14,400 *	12,600	59.0	143.5	12,100 *	12,100 *	61.1	141.0	9,300 *	9,300 *			100
120	45	110	52.2	137.2	12,900	10,800	54.6	135.9	11,200 *	11,100 *	56.7	133.3	8,800 *	8,800 *			110
120	45	120	47.7	128.3	11,300	9,400	50.0	127.0	10,400 *	9,600	52.0	124.2	8,400 *	8,400 *			120
120	45	130	42.7	117.9	9,900	8,200	45.0	116.4	9,800 *	8,400	46.8	113.4	8,000 *	8,000 *			130
120	45	140	37.2	105.4	8,800	7,200	39.4	103.7	8,900	7,300							140
120	45	150	30.9	89.9	7,800	6,300											150
120	60	41.35	80.0	185.8	23,900 *	23,900 *											41.35
120	60	50	77.2	183.8	21,900 *	21,900 *											50
120	60	60	73.9	180.9	18,800 *	18,800 *	77.1	179.6	13,400 *	13,400 *							60
120	60	70	70.6	177.4	16,500 *	16,500 *	73.7	176.1	11,900 *	11,900 *	76.7	173.5	8,500 *	8,500 *			70
120	60	80	67.2	173.2	14,700 *	14,700 *	70.3	171.9	10,700 *	10,700 *	73.2	169.2	7,800 *	7,800 *			80
120	60	90	63.7	168.3	13,100 *	13,100 *	66.7	166.9	9,700 *	9,700 *	69.6	164.1	7,200 *	7,200 *			90
120	60	100	60.0	162.6	11,700 *	11,700 *	63.1	161.1	8,900 *	8,900 *	65.8	158.3	6,700 *	6,700 *			100
120	60	110	56.3	156.0	10,600 *	10,600 *	59.3	154.5	8,200 *	8,200 *	62.0	151.4	6,300 *	6,300 *			110



**218 HYLAB 5 - w/ 50" x 60" Tube Boom, w/ 24" x 32" Tube Jib, w/ "AB" Ctw**

Refer to the Tubular Jib Notes for Open Throat Boom in the Crane Rating Manual before operating the crane.

Boom Length (ft)	Jib Length (ft)	Jib Load Radius (ft)	Jib Angle to Boom												Jib Load Radius (ft)			
			5 Degrees				15 Degrees				25 Degrees							
			Boom Angle (deg)	Jib Point Height (ft)	Over End Capacity (lbs)	Jib Capacity (lbs)	360° Jib Capacity (lbs)	Boom Angle (deg)	Jib Point Height (ft)	Over End Capacity (lbs)	Jib Capacity (lbs)	360° Jib Capacity (lbs)	Boom Angle (deg)	Jib Point Height (ft)		Over End Capacity (lbs)	Jib Capacity (lbs)	360° Jib Capacity (lbs)
130	60	50	77.9	194.1	22,000 *	22,000 *												50
130	60	60	74.8	191.4	19,000 *	19,000 *												60
130	60	70	71.7	188.1	16,600 *	16,600 *												70
130	60	80	68.4	184.1	14,800 *	14,800 *	71.4	182.8	11,000 *	11,000 *	74.1	180.1	8,000 *	8,000 *				80
130	60	90	65.2	179.5	13,300 *	13,300 *	68.1	178.1	10,000 *	10,000 *	70.8	175.3	7,400 *	7,400 *				90
130	60	100	61.8	174.2	12,000 *	12,000 *	64.7	172.7	9,200 *	9,200 *	67.3	169.9	6,900 *	6,900 *				100
130	60	110	58.3	168.1	11,000 *	10,800 *	61.1	166.6	8,500 *	8,500 *	63.7	163.6	6,500 *	6,500 *				110
130	60	120	54.6	161.0	10,100 *	9,300 *	57.5	159.5	7,900 *	7,900 *	59.9	156.3	6,100 *	6,100 *				120
130	60	130	50.8	153.0	9,300 *	8,100 *	53.6	151.3	7,400 *	7,400 *	56.0	148.0	5,800 *	5,800 *				130
130	60	140	46.7	143.7	8,600 *	7,100 *	49.5	141.9	6,900 *	6,900 *	51.8	138.4	5,500 *	5,500 *				140
130	60	150	42.4	133.0	7,700 *	6,200 *	45.0	131.1	6,600 *	6,400 *	47.2	127.2	5,300 *	5,300 *				150
130	60	160	37.6	120.4	6,800 *	5,500 *	40.1	118.2	6,200 *	5,600 *								160
130	60	170	32.1	105.1	6,000 *	4,800 *												170
130	60	180	25.6	85.8	5,400 *	4,200 *												180
130	75	46.97	80.0	210.2	19,100 *	19,100 *												46.97
130	75	50	79.1	209.5	18,600 *	18,600 *												50
130	75	60	76.3	207.0	16,100 *	16,100 *	79.8	205.5	10,800 *	10,800 *								60
130	75	70	73.4	203.9	14,100 *	14,100 *	76.9	202.4	9,600 *	9,600 *								70
130	75	80	70.5	200.3	12,300 *	12,300 *	73.9	198.8	8,600 *	8,600 *	77.2	195.6	6,100 *	6,100 *				80
130	75	90	67.4	196.1	10,800 *	10,800 *	70.9	194.5	7,800 *	7,800 *	74.1	191.3	5,600 *	5,600 *				90
130	75	100	64.4	191.2	9,700 *	9,700 *	67.8	189.6	7,100 *	7,100 *	70.9	186.3	5,200 *	5,200 *				100
130	75	110	61.2	185.7	8,700 *	8,700 *	64.6	184.0	6,500 *	6,500 *	67.7	180.6	4,800 *	4,800 *				110
130	75	120	57.9	179.4	8,000 *	8,000 *	61.3	177.6	6,000 *	6,000 *	64.3	174.1	4,500 *	4,500 *				120
130	75	130	54.5	172.2	7,300 *	7,300 *	57.8	170.4	5,600 *	5,600 *	60.8	166.7	4,300 *	4,300 *				130
130	75	140	51.0	164.1	6,700 *	6,700 *	54.2	162.2	5,300 *	5,300 *	57.1	158.3	4,000 *	4,000 *				140
130	75	150	47.2	154.9	6,200 *	6,200 *	50.4	152.8	4,900 *	4,900 *	53.2	148.7	3,800 *	3,800 *				150
130	75	160	43.2	144.3	5,800 *	5,500 *	46.3	142.1	4,700 *	4,700 *	48.9	137.6	3,700 *	3,700 *				160
130	75	170	38.8	132.0	5,400 *	4,900 *	41.9	129.6	4,400 *	4,400 *								170
130	75	180	33.9	117.5	5,100 *	4,300 *	36.9	114.7	4,200 *	4,200 *								180
130	75	190	28.3	99.7	4,800 *	3,800 *												190
140	30	37.06	80.0	176.5	24,000 *	24,000 *												37.06
140	30	40	79.0	175.9	24,000 *	24,000 *												40
140	30	50	75.6	173.5	24,000 *	24,000 *	77.2	172.7	24,000 *	24,000 *	78.8	171.2	20,200 *	20,200 *				50
140	30	60	72.1	170.5	24,000 *	24,000 *	73.7	169.7	23,500 *	23,500 *	75.2	168.1	18,800 *	18,800 *				60
140	30	70	68.5	166.7	23,900 *	20,500 *	70.2	165.9	22,300 *	20,800 *	71.6	164.3	17,500 *	17,500 *				70
140	30	80	64.9	162.2	19,900 *	16,800 *	66.5	161.4	20,200 *	17,100 *	67.9	159.7	16,500 *	16,500 *				80
140	30	90	61.1	156.9	16,700 *	14,100 *	62.7	156.1	17,000 *	14,300 *	64.1	154.4	15,600 *	14,600 *				90
140	30	100	57.2	150.8	14,200 *	11,900 *	58.8	149.9	14,500 *	12,100 *	60.1	148.1	14,700 *	12,300 *				100
140	30	110	53.1	143.6	12,300 *	10,200 *	54.6	142.6	12,400 *	10,400 *	55.9	140.7	12,600 *	10,500 *				110
140	30	120	48.8	135.2	10,600 *	8,700 *	50.3	134.2	10,800 *	8,900 *	51.5	132.2	10,900 *	9,000 *				120
140	30	130	44.1	125.4	9,200 *	7,500 *	45.6	124.3	9,400 *	7,700 *	46.7	122.1	9,500 *	7,800 *				130
140	30	140	39.0	113.8	8,100 *	6,500 *	40.4	112.6	8,200 *	6,600 *								140
140	30	150	33.2	99.6	7,100 *	5,700 *												150
140	30	160	26.4	81.5	6,200 *	4,900 *												160
140	45	40.94	80.0	191.0	24,000 *	24,000 *												40.94
140	45	50	77.2	189.0	24,000 *	24,000 *	79.5	187.9	21,500 *	21,500 *								50
140	45	60	74.0	186.2	22,500 *	22,500 *	76.3	185.1	19,100 *	19,100 *	78.4	182.9	13,300 *	13,300 *				60
140	45	70	70.7	182.8	20,300 *	20,300 *	73.0	181.7	17,100 *	17,100 *	75.1	179.5	12,200 *	12,200 *				70
140	45	80	67.4	178.7	18,100 *	17,100 *	69.7	177.6	15,500 *	15,500 *	71.7	175.3	11,300 *	11,300 *				80
140	45	90	64.0	174.0	16,200 *	14,300 *	66.3	172.8	14,200 *	14,200 *	68.3	170.5	10,500 *	10,500 *				90

**218 HYLAB 5 - w/ 50" x 60" Tube Boom, w/ 24" x 32" Tube Jib, w/ "AB" Ctw**

Refer to the Tubular Jib Notes for Open Throat Boom in the Crane Rating Manual before operating the crane.

Boom Length (ft)	Jib Length (ft)	Jib Load Radius (ft)	Jib Angle to Boom												Jib Load Radius (ft)
			5 Degrees				15 Degrees				25 Degrees				
			Boom Angle (deg)	Jib Point Height (ft)	Over End Capacity (lbs)	Jib Capacity (lbs)	360° Jib Capacity (lbs)	Boom Angle (deg)	Jib Point Height (ft)	Over End Capacity (lbs)	Jib Capacity (lbs)	360° Jib Capacity (lbs)	Boom Angle (deg)	Jib Point Height (ft)	
140	45	100	60.5	168.4	14,500	12,100	62.7	167.2	13,000 *	12,500	64.7	164.8	9,800 *	9,800 *	100
140	45	110	56.9	162.1	12,500 *	10,400	59.1	160.8	12,100 *	10,700	61.0	158.3	9,300 *	9,300 *	110
140	45	120	53.1	154.8	10,800	8,900	55.3	153.4	11,100	9,200	57.1	150.8	8,800 *	8,800 *	120
140	45	130	49.1	146.3	9,400	7,700	51.2	144.9	9,700	7,900	53.0	142.1	8,400 *	8,100	130
140	45	140	44.8	136.6	8,300	6,700	46.9	135.1	8,500	6,900	48.6	132.1	8,100 *	7,000	140
140	45	150	40.2	125.2	7,300	5,800	42.2	123.6	7,400	6,000					150
140	45	160	35.0	111.7	6,400	5,100	37.0	109.8	6,500	5,200					160
140	45	170	29.1	95.0	5,700	4,400									170
140	60	44.82	80.0	205.5	22,600 *	22,600 *									44.82
140	60	50	78.5	204.4	22,100 *	22,100 *									50
140	60	60	75.6	201.8	19,100 *	19,100 *	78.4	200.5	14,100 *	14,100 *					60
140	60	70	72.6	198.7	16,800 *	16,800 *	75.4	197.3	12,600 *	12,600 *	78.1	194.6	8,800 *	8,800 *	70
140	60	80	69.6	195.0	14,900 *	14,900 *	72.4	193.6	11,400 *	11,400 *	75.0	190.8	8,100 *	8,100 *	80
140	60	90	66.5	190.6	13,400 *	13,400 *	69.3	189.2	10,400 *	10,400 *	71.8	186.4	7,600 *	7,600 *	90
140	60	100	63.3	185.6	12,100 *	12,100 *	66.1	184.2	9,500 *	9,500 *	68.6	181.3	7,100 *	7,100 *	100
140	60	110	60.0	179.9	11,100 *	10,500	62.8	178.4	8,800 *	8,800 *	65.2	175.4	6,600 *	6,600 *	110
140	60	120	56.7	173.4	10,200 *	9,100	59.4	171.8	8,200 *	8,200 *	61.7	168.7	6,300 *	6,300 *	120
140	60	130	53.1	165.9	9,400 *	7,900	55.8	164.3	7,600 *	7,600 *	58.1	161.0	5,900 *	5,900 *	130
140	60	140	49.4	157.5	8,400	6,900	52.0	155.8	7,200 *	7,100	54.3	152.3	5,700 *	5,700 *	140
140	60	150	45.5	147.8	7,400	6,000	48.0	146.0	6,800 *	6,800	50.2	142.2	5,400 *	5,400 *	150
140	60	160	41.2	136.7	6,600	5,200	43.7	134.6	6,400 *	5,400 *	45.7	130.6	5,200 *	5,200 *	160
140	60	170	36.5	123.6	5,800	4,500	39.0	121.3	5,900	4,700					170
140	60	180	31.3	107.8	5,100	3,900									180
140	75	48.71	80.0	220.0	18,800 *	18,800 *									48.71
140	75	50	79.7	219.7	18,600 *	18,600 *									50
140	75	60	76.9	217.3	16,200 *	16,200 *									60
140	75	70	74.2	214.4	14,200 *	14,200 *	77.5	212.9	9,800 *	9,800 *					70
140	75	80	71.4	211.0	12,700 *	12,700 *	74.7	209.4	8,800 *	8,800 *	77.8	206.2	6,200 *	6,200 *	80
140	75	90	68.6	207.0	11,300 *	11,300 *	71.8	205.4	8,000 *	8,000 *	74.9	202.2	5,700 *	5,700 *	90
140	75	100	65.7	202.4	10,100 *	10,100 *	68.9	200.8	7,300 *	7,300 *	71.9	197.5	5,300 *	5,300 *	100
140	75	110	62.7	197.2	9,100 *	9,100 *	65.9	195.5	6,700 *	6,700 *	68.9	192.1	4,900 *	4,900 *	110
140	75	120	59.6	191.3	8,300 *	8,300 *	62.8	189.5	6,200 *	6,200 *	65.7	186.0	4,600 *	4,600 *	120
140	75	130	56.4	184.6	7,600 *	7,600 *	59.6	182.8	5,800 *	5,800 *	62.4	179.1	4,400 *	4,400 *	130
140	75	140	53.1	177.1	7,000 *	6,900	56.3	175.2	5,400 *	5,400 *	59.0	171.4	4,100 *	4,100 *	140
140	75	150	49.7	168.6	6,500 *	6,100	52.7	166.6	5,100 *	5,100 *	55.4	162.6	3,900 *	3,900 *	150
140	75	160	46.0	159.0	6,100 *	5,300	49.0	156.9	4,800 *	4,800 *	51.6	152.5	3,800 *	3,800 *	160
140	75	170	42.1	148.0	5,700 *	4,600	45.1	145.7	4,600 *	4,600 *	47.5	141.0	3,600 *	3,600 *	170
140	75	180	37.8	135.3	5,200 *	4,000	40.7	132.8	4,400 *	4,200					180
140	75	190	33.1	120.3	4,600	3,500	35.8	117.4	4,200 *	3,700					190
140	75	200	27.5	102.0	4,100	3,000									200
150	30	38.8	80.0	186.4	24,000 *	24,000 *									38.8
150	30	40	79.6	186.1	24,000 *	24,000 *									40
150	30	50	76.4	183.9	24,000 *	24,000 *	78.0	183.1	24,000 *	24,000 *	79.4	181.5	20,500 *	20,500 *	50
150	30	60	73.1	181.0	24,000 *	24,000 *	74.7	180.2	23,500 *	23,500 *	76.1	178.6	19,100 *	19,100 *	60
150	30	70	69.8	177.5	23,700	20,200	71.3	176.7	22,300 *	20,600	72.7	175.0	17,800 *	17,800 *	70
150	30	80	66.4	173.3	19,700	16,600	67.9	172.4	20,000	16,900	69.3	170.8	16,800 *	16,800 *	80
150	30	90	62.9	168.4	16,500	13,800	64.4	167.5	16,800	14,100	65.7	165.8	15,900 *	14,400	90
150	30	100	59.2	162.6	14,000	11,700	60.7	161.7	14,300	11,900	62.0	160.0	14,500	12,100	100
150	30	110	55.5	156.0	12,000	9,900	56.9	155.1	12,200	10,100	58.2	153.2	12,400	10,300	110
150	30	120	51.5	148.4	10,400	8,500	52.9	147.4	10,600	8,700	54.1	145.5	10,700	8,800	120

**218 HYLAB 5 - w/ 50" x 60" Tube Boom, w/ 24" x 32" Tube Jib, w/ "AB" Ctw**

Refer to the Tubular Jib Notes for Open Throat Boom in the Crane Rating Manual before operating the crane.

Boom Length (ft)	Jib Length (ft)	Jib Load Radius (ft)	Jib Angle to Boom												Jib Load Radius (ft)			
			5 Degrees				15 Degrees				25 Degrees							
			Boom Angle (deg)	Jib Point Height (ft)	Over End Capacity (lbs)	Jib Capacity (lbs)	360° Jib Capacity (lbs)	Boom Angle (deg)	Jib Point Height (ft)	Over End Capacity (lbs)	Jib Capacity (lbs)	360° Jib Capacity (lbs)	Boom Angle (deg)	Jib Point Height (ft)		Over End Capacity (lbs)	Jib Capacity (lbs)	360° Jib Capacity (lbs)
150	30	130	47.3	139.6	9,000	7,300												130
150	30	140	42.8	129.3	7,900	6,300	44.2	128.2	8,000	6,400	45.2	125.9	8,100	6,500				140
150	30	150	37.9	117.2	6,900	5,400	39.2	115.9	7,000	5,500								150
150	30	160	32.3	102.5	6,000	4,700												160
150	30	170	25.6	83.8	5,200	4,000												170
150	45	42.68	80.0	200.9	24,000 *	24,000 *												42.68
150	45	50	77.8	199.3	24,000 *	24,000 *												50
150	45	60	74.8	196.6	22,500 *	22,500 *	77.0	195.5	19,100 *	19,100 *	79.0	193.4	13,500 *	13,500 *				60
150	45	70	71.8	193.4	20,500 *	20,500 *	73.9	192.3	17,100 *	17,100 *	75.9	190.1	12,400 *	12,400 *				70
150	45	80	68.6	189.6	18,200 *	16,800	70.8	188.4	15,500 *	15,500 *	72.7	186.2	11,500 *	11,500 *				80
150	45	90	65.5	185.1	16,400 *	14,100	67.6	184.0	14,200 *	14,200 *	69.5	181.6	10,700 *	10,700 *				90
150	45	100	62.2	180.0	14,200	11,900	64.3	178.8	13,100 *	12,200	66.2	176.4	10,100 *	10,100 *				100
150	45	110	58.8	174.0	12,200	10,100	60.9	172.8	12,100 *	10,400	62.7	170.3	9,500 *	9,500 *				110
150	45	120	55.3	167.3	10,600	8,700	57.3	166.0	10,900	9,000	59.1	163.4	9,000 *	9,000 *				120
150	45	130	51.6	159.5	9,200	7,500	53.6	158.2	9,400	7,700	55.3	155.4	8,600 *	7,900				130
150	45	140	47.8	150.7	8,000	6,500	49.7	149.3	8,200	6,700	51.4	146.4	8,300 *	6,800				140
150	45	150	43.6	140.6	7,000	5,600	45.5	139.0	7,200	5,800	47.1	135.8	7,400	5,900				150
150	45	160	39.1	128.7	6,200	4,800	41.0	127.0	6,300	5,000								160
150	45	170	34.1	114.7	5,400	4,200	35.9	112.7	5,500	4,300								170
150	45	180	28.3	97.4	4,800	3,600												180
150	60	46.56	80.0	215.4	22,400 *	22,400 *												46.56
150	60	50	79.1	214.6	22,100 *	22,100 *												50
150	60	60	76.3	212.2	19,200 *	19,200 *	79.0	210.8	14,400 *	14,400 *								60
150	60	70	73.5	209.2	16,900 *	16,900 *	76.1	207.8	12,900 *	12,900 *	78.7	205.1	9,000 *	9,000 *				70
150	60	80	70.6	205.7	15,000 *	15,000 *	73.3	204.3	11,700 *	11,700 *	75.8	201.5	8,300 *	8,300 *				80
150	60	90	67.7	201.6	13,500 *	13,500 *	70.3	200.2	10,700 *	10,700 *	72.8	197.3	7,700 *	7,700 *				90
150	60	100	64.7	196.9	12,200 *	12,000	67.3	195.4	9,800 *	9,800 *	69.7	192.5	7,200 *	7,200 *				100
150	60	110	61.6	191.5	11,200 *	10,300	64.2	190.0	9,100 *	9,100 *	66.6	187.0	6,800 *	6,800 *				110
150	60	120	58.4	185.4	10,300 *	8,800	61.0	183.8	8,400 *	8,400 *	63.3	180.7	6,400 *	6,400 *				120
150	60	130	55.2	178.5	9,400	7,600	57.7	176.9	7,900 *	7,900 *	60.0	173.6	6,100 *	6,100 *				130
150	60	140	51.7	170.7	8,200	6,600	54.3	169.0	7,400 *	6,900	56.4	165.6	5,800 *	5,800 *				140
150	60	150	48.1	161.9	7,200	5,700	50.6	160.1	7,000 *	6,000	52.7	156.4	5,600 *	5,600 *				150
150	60	160	44.3	151.8	6,300	5,000	46.7	149.9	6,500	5,200	48.7	146.0	5,300 *	5,300 *				160
150	60	170	40.2	140.2	5,600	4,300	42.5	138.1	5,700	4,500								170
150	60	180	35.6	126.7	4,900	3,700	37.9	124.3	5,000	3,800								180
150	60	190	30.5	110.4	4,300	3,200												190
150	75	50.44	80.0	229.8	18,500 *	18,500 *												50.44
150	75	60	77.5	227.7	16,200 *	16,200 *												60
150	75	70	74.9	224.9	14,300 *	14,300 *	78.1	223.3	10,000 *	10,000 *								70
150	75	80	72.3	221.6	12,700 *	12,700 *	75.4	220.0	9,000 *	9,000 *	78.4	216.8	6,300 *	6,300 *				80
150	75	90	69.6	217.9	11,400 *	11,400 *	72.7	216.2	8,200 *	8,200 *	75.6	212.9	5,800 *	5,800 *				90
150	75	100	66.8	213.5	10,400 *	10,400 *	69.9	211.8	7,500 *	7,500 *	72.8	208.5	5,400 *	5,400 *				100
150	75	110	64.0	208.6	9,400 *	9,400 *	67.1	206.9	6,900 *	6,900 *	69.9	203.4	5,000 *	5,000 *				110
150	75	120	61.1	203.0	8,700 *	8,700 *	64.2	201.2	6,400 *	6,400 *	66.9	197.7	4,700 *	4,700 *				120
150	75	130	58.1	196.8	8,000 *	7,700	61.2	194.9	6,000 *	6,000 *	63.9	191.3	4,500 *	4,500 *				130
150	75	140	55.0	189.7	7,300 *	6,700	58.0	187.8	5,600 *	5,600 *	60.7	184.0	4,200 *	4,200 *				140
150	75	150	51.8	181.9	6,800 *	5,800	54.8	179.9	5,300 *	5,300 *	57.4	175.9	4,000 *	4,000 *				150
150	75	160	48.5	173.0	6,300 *	5,100	51.4	170.9	5,000 *	5,000 *	53.9	166.7	3,800 *	3,800 *				160
150	75	170	44.9	163.0	5,600	4,400	47.8	160.8	4,700 *	4,600	50.2	156.3	3,700 *	3,700 *				170
150	75	180	41.1	151.6	5,000	3,800	43.9	149.2	4,500 *	4,000	46.2	144.3	3,600 *	3,600 *				180







**218 HYLAB 5 - w/ 50" x 60" Tube Boom, w/ 24" x 32" Tube Jib, w/ "AB" Ctw**

Refer to the Tubular Jib Notes for Open Throat Boom in the Crane Rating Manual before operating the crane.

Boom Length (ft)	Jib Length (ft)	Jib Load Radius (ft)	Jib Angle to Boom												Jib Load Radius (ft)
			5 Degrees				15 Degrees				25 Degrees				
			Boom Angle (deg)	Jib Point Height (ft)	Over End Capacity (lbs)	360° Jib Capacity (lbs)	Boom Angle (deg)	Jib Point Height (ft)	Over End Capacity (lbs)	360° Jib Capacity (lbs)	Boom Angle (deg)	Jib Point Height (ft)	Over End Capacity (lbs)	360° Jib Capacity (lbs)	
180	30	180	34.9	126.8	3,900	2,700									180
180	30	190	29.8	110.6	3,300	2,200									190
180	45	47.89	80.0	230.4	24,000 *	24,000 *									47.89
180	45	50	79.5	230.0	24,000 *	24,000 *									50
180	45	60	76.9	227.7	22,400 *	22,400 *									60
180	45	70	74.3	225.0	20,600 *	19,800 *	78.8	226.6	18,800 *	18,800 *					70
180	45	80	71.6	221.7	18,400 *	16,200 *	76.1	223.8	17,000 *	17,000 *	77.9	221.5	13,000 *	13,000 *	80
180	45	90	68.9	217.9	16,100 *	13,400 *	73.5	220.5	15,500 *	15,500 *	75.2	218.2	12,100 *	12,100 *	90
180	45	100	66.1	213.6	13,500 *	11,200 *	70.8	216.7	14,200 *	13,900 *	72.4	214.4	11,400 *	11,400 *	100
180	45	110	63.3	208.6	11,500 *	9,400 *	68.0	212.4	13,100 *	11,600 *	69.6	210.0	10,700 *	10,700 *	110
180	45	120	60.4	203.1	9,900 *	8,000 *	65.2	207.4	11,900 *	9,800 *	66.8	204.9	10,100 *	10,100 *	120
180	45	130	57.5	196.8	8,500 *	6,800 *	62.2	201.8	10,200 *	8,300 *	63.8	199.3	9,600 *	8,600 *	130
180	45	140	54.4	189.8	7,300 *	5,800 *	59.3	195.5	8,800 *	7,100 *	60.8	192.9	9,200 *	7,300 *	140
180	45	150	51.2	181.9	6,300 *	4,900 *	56.1	188.4	7,600 *	6,000 *	57.7	185.7	7,800 *	6,200 *	150
180	45	160	47.8	173.1	5,500 *	4,100 *	52.9	180.5	6,600 *	5,100 *	54.4	177.7	6,700 *	5,300 *	160
180	45	170	44.2	163.1	4,700 *	3,400 *	49.5	171.6	5,700 *	4,300 *	50.9	168.6	5,800 *	4,500 *	170
180	45	180	40.4	151.7	4,000 *	2,800 *	45.9	161.5	4,900 *	3,600 *	47.2	158.3	5,000 *	3,700 *	180
180	45	190	36.3	138.6	3,400 *	2,300 *	42.1	150.0	4,200 *	3,000 *					190
180	45	200	31.6	123.2	2,900 *		37.8	136.7	3,600 *	2,400 *					200
180	45	210	26.2	104.4	2,400 *										210
180	60	51.77	80.0	244.9	21,300 *	21,300 *									51.77
180	60	60	78.0	243.1	19,200 *	19,200 *									60
180	60	70	75.6	240.5	17,000 *	17,000 *			13,800 *	13,800 *					70
180	60	80	73.1	237.5	15,200 *	15,200 *	77.9	239.1	13,800 *	13,800 *	77.6	233.2	8,600 *	8,600 *	80
180	60	90	70.6	234.0	13,700 *	13,500 *	75.4	236.1	12,500 *	12,500 *	75.1	229.6	8,100 *	8,100 *	90
180	60	100	68.0	230.0	12,400 *	11,300 *	72.9	232.5	11,500 *	11,500 *	72.5	225.5	7,600 *	7,600 *	100
180	60	110	65.4	225.4	11,400 *	9,600 *	70.3	228.5	10,600 *	10,600 *	69.8	220.8	7,200 *	7,200 *	110
180	60	120	62.8	220.3	10,000 *	8,100 *	67.7	223.9	9,800 *	9,800 *	67.1	215.6	6,800 *	6,800 *	120
180	60	130	60.0	214.5	8,600 *	6,900 *	65.0	218.7	9,100 *	8,600 *	64.3	209.7	6,500 *	6,500 *	130
180	60	140	57.2	208.1	7,500 *	5,900 *	62.3	212.9	8,500 *	7,300 *	61.4	203.2	6,200 *	6,200 *	140
180	60	150	54.3	201.0	6,500 *	5,000 *	59.5	206.5	7,800 *	6,200 *	58.5	195.9	5,900 *	5,600 *	150
180	60	160	51.3	193.1	5,600 *	4,200 *	56.5	199.3	6,800 *	5,300 *	55.3	187.7	5,700 *	4,700 *	160
180	60	170	48.1	184.2	4,800 *	3,600 *	53.5	191.3	5,900 *	4,500 *	52.1	178.6	5,300 *	4,000 *	170
180	60	180	44.8	174.3	4,200 *	3,000 *	50.3	182.3	5,100 *	3,800 *	48.6	168.3	4,500 *	3,400 *	180
180	60	190	41.3	163.1	3,600 *	2,400 *	46.9	172.3	4,400 *	3,200 *					190
180	60	200	37.4	150.4	3,000 *	2,000 *	43.3	161.0	3,700 *	2,600 *					200
180	60	210	33.2	135.6	2,500 *		39.4	148.0	3,200 *	2,100 *					210
180	60	220	28.4	117.9	2,100 *		35.1	133.0	2,700 *						220
180	75	55.65	80.0	259.4	17,100 *	17,100 *									55.65
180	75	60	79.0	258.5	16,200 *	16,200 *									60
180	75	70	76.7	256.1	14,400 *	14,400 *	79.5	254.4	10,600 *	10,600 *					70
180	75	80	74.4	253.2	12,900 *	12,900 *	77.2	251.5	9,600 *	9,600 *	79.8	248.2	6,500 *	6,500 *	80
180	75	90	72.1	249.9	11,600 *	11,600 *	74.8	248.2	8,800 *	8,800 *	77.4	244.8	6,000 *	6,000 *	90
180	75	100	69.7	246.2	10,500 *	10,500 *	72.4	244.4	8,100 *	8,100 *	75.0	240.9	5,600 *	5,600 *	100
180	75	110	67.2	241.9	9,600 *	9,600 *	70.0	240.1	7,500 *	7,500 *	72.5	236.6	5,300 *	5,300 *	110
180	75	120	64.8	237.2	8,800 *	8,200 *	67.5	235.3	7,000 *	7,000 *	70.0	231.7	5,000 *	5,000 *	120
180	75	130	62.3	231.8	8,100 *	7,000 *	65.0	230.0	6,500 *	6,500 *	67.4	226.3	4,700 *	4,700 *	130
180	75	140	59.7	226.0	7,500 *	6,000 *	62.3	224.1	6,100 *	6,100 *	64.7	220.3	4,500 *	4,500 *	140
180	75	150	57.0	219.4	6,600 *	5,100 *	59.7	217.5	5,800 *	5,500 *	62.0	213.6	4,300 *	4,300 *	150
180	75	160	54.3	212.2	5,700 *	4,300 *	56.9	210.2	5,400 *	4,700 *	59.2	206.1	4,100 *	4,100 *	160

**218 HYLAB 5 - w/ 50" x 60" Tube Boom, w/ 24" x 32" Tube Jib, w/ "AB" Ctw**

Refer to the Tubular Jib Notes for Open Throat Boom in the Crane Rating Manual before operating the crane.

Boom Length (ft)	Jib Length (ft)	Jib Load Radius (ft)	Jib Angle to Boom												Jib Load Radius (ft)
			5 Degrees				15 Degrees				25 Degrees				
			Boom Angle (deg)	Jib Point Height (ft)	Over End Capacity (lbs)	360° Jib Capacity (lbs)	Boom Angle (deg)	Jib Point Height (ft)	Over End Capacity (lbs)	360° Jib Capacity (lbs)	Boom Angle (deg)	Jib Point Height (ft)	Over End Capacity (lbs)	360° Jib Capacity (lbs)	
180	75	170	51.4	204.2	4,900	3,700	54.0	202.1	5,200 *	4,000	56.2	197.9	3,900 *	3,900 *	170
180	75	180	48.4	195.4	4,200	3,100	51.0	193.2	4,500	3,300	53.2	188.7	3,800 *	3,600	180
180	75	190	45.3	185.5	3,600	2,500	47.8	183.2	3,900	2,800	49.9	178.5	3,600 *	3,000	190
180	75	200	42.0	174.5	3,100	2,100	44.5	172.0	3,300	2,300	46.4	166.9	3,500 *	2,500	200
180	75	210	38.4	162.0	2,600		40.8	159.3	2,800						210
180	75	220	34.5	147.7	2,200		36.9	144.7	2,400						220
190	30	45.74	80.0	225.8	24,000 *	24,000 *									45.74
190	30	50	78.9	224.9	24,000 *	24,000 *									50
190	30	60	76.2	222.6	24,000 *	24,000 *	77.5	221.8	22,900 *	22,900 *	78.7	220.2	20,100 *	20,100 *	60
190	30	70	73.6	219.8	22,800	19,400	74.8	218.9	21,800 *	19,800	76.0	217.3	18,900 *	18,900 *	70
190	30	80	70.8	216.4	18,800	15,700	72.1	215.6	19,200	16,100	73.2	213.9	17,400 *	16,500	80
190	30	90	68.1	212.5	15,600	12,900	69.3	211.7	16,000	13,300	70.4	210.0	16,200 *	13,600	90
190	30	100	65.2	208.1	13,100	10,700	66.5	207.2	13,400	11,000	67.6	205.5	13,700	11,300	100
190	30	110	62.3	203.0	11,100	9,000	63.6	202.1	11,400	9,300	64.7	200.4	11,600	9,500	110
190	30	120	59.4	197.3	9,400	7,600	60.6	196.4	9,700	7,800	61.6	194.5	9,900	8,000	120
190	30	130	56.3	190.8	8,100	6,400	57.5	189.9	8,300	6,600	58.5	188.0	8,500	6,700	130
190	30	140	53.1	183.6	6,900	5,300	54.3	182.6	7,100	5,500	55.3	180.6	7,200	5,700	140
190	30	150	49.8	175.4	5,900	4,500	50.9	174.4	6,100	4,600	51.9	172.3	6,200	4,700	150
190	30	160	46.3	166.2	5,000	3,700	47.4	165.1	5,200	3,800	48.3	162.9	5,300	3,900	160
190	30	170	42.6	155.8	4,300	3,000	43.7	154.6	4,400	3,100					170
190	30	180	38.5	143.8	3,600	2,400	39.6	142.5	3,700	2,500 *					180
190	30	190	34.1	129.8	3,000		35.1	128.4	3,100	2,000					190
190	30	200	29.1	113.1	2,500										200
190	45	49.62	80.0	240.3	24,000 *	24,000 *									49.62
190	45	50	79.9	240.2	24,000 *	24,000 *									50
190	45	60	77.4	238.0	22,300 *	22,300 *	79.3	236.9	18,700 *	18,700 *					60
190	45	70	74.9	235.4	20,400 *	19,600	76.7	234.2	16,900 *	16,900 *	78.4	231.9	13,200 *	13,200 *	70
190	45	80	72.4	232.3	18,400 *	15,900	74.2	231.1	15,400 *	15,400 *	75.9	228.8	12,300 *	12,300 *	80
190	45	90	69.8	228.7	15,800	13,100	71.6	227.5	14,100 *	13,700	73.2	225.1	11,500 *	11,500 *	90
190	45	100	67.2	224.5	13,300	11,000	69.0	223.3	13,000 *	11,400	70.6	220.9	10,900 *	10,900 *	100
190	45	110	64.6	219.9	11,300	9,200	66.3	218.6	11,700	9,600	67.9	216.2	10,300 *	9,900	110
190	45	120	61.8	214.6	9,600	7,700	63.6	213.3	10,000	8,100 *	65.1	210.8	9,800 *	8,400	120
190	45	130	59.0	208.7	8,300	6,500	60.7	207.4	8,600	6,800	62.2	204.8	8,800	7,100	130
190	45	140	56.1	202.1	7,100	5,500	57.8	200.8	7,400	5,800	59.3	198.1	7,600	6,000	140
190	45	150	53.1	194.8	6,100	4,600	54.8	193.4	6,300	4,900	56.2	190.6	6,500	5,100	150
190	45	160	50.0	186.6	5,200	3,900	51.6	185.1	5,400	4,100	53.0	182.2	5,600	4,300	160
190	45	170	46.7	177.4	4,500	3,200	48.3	175.8	4,600	3,400	49.6	172.7	4,800	3,500	170
190	45	180	43.2	167.0	3,800	2,600	44.8	165.4	3,900	2,800	46.1	162.1	4,100	2,900	180
190	45	190	39.5	155.3	3,200	2,100	41.1	153.5	3,300	2,200					190
190	45	200	35.4	141.8	2,700		36.9	139.8	2,800						200
190	45	210	30.9	125.9	2,200										210
190	60	53.51	80.0	254.8	19,700 *	19,700 *									53.51
190	60	60	78.5	253.4	19,000 *	19,000 *									60
190	60	70	76.1	250.9	16,900 *	16,900 *	78.4	249.5	13,700 *	13,700 *					70
190	60	80	73.8	248.0	15,200 *	15,200 *	76.0	246.5	12,500 *	12,500 *	78.2	243.7	8,700 *	8,700 *	80
190	60	90	71.4	244.6	13,700 *	13,300	73.6	243.2	11,400 *	11,400 *	75.7	240.2	8,200 *	8,200 *	90
190	60	100	68.9	240.8	12,400 *	11,100	71.2	239.3	10,500 *	10,500 *	73.2	236.3	7,700 *	7,700 *	100
190	60	110	66.5	236.4	11,400 *	9,400	68.7	234.9	9,800 *	9,800 *	70.7	231.9	7,300 *	7,300 *	110
190	60	120	63.9	231.6	9,800	7,900	66.1	230.0	9,100 *	8,400	68.1	226.9	6,900 *	6,900 *	120
190	60	130	61.4	226.1	8,400	6,700	63.5	224.5	8,500 *	7,100	65.5	221.3	6,600 *	6,600 *	130

**218 HYLAB 5 - w/ 50" x 60" Tube Boom, w/ 24" x 32" Tube Jib, w/ "AB" Ctw**

Refer to the Tubular Jib Notes for Open Throat Boom in the Crane Rating Manual before operating the crane.

Boom Length (ft)	Jib Length (ft)	Jib Load Radius (ft)	Jib Angle to Boom												Jib Load Radius (ft)
			5 Degrees				15 Degrees				25 Degrees				
			Boom Angle (deg)	Jib Point Height (ft)	Over End Capacity (lbs)	Jib Capacity (lbs)	360° Jib Capacity (lbs)	Boom Angle (deg)	Jib Point Height (ft)	Over End Capacity (lbs)	Jib Capacity (lbs)	360° Jib Capacity (lbs)	Boom Angle (deg)	Jib Point Height (ft)	
190	60	140	58.7	220.1	7,200	5,600	60.9	218.4	7,600	6,000	62.8	215.2	6,300 *	6,300 *	140
190	60	150	56.0	213.4	6,200	4,800	58.1	211.7	6,600	5,100	60.0	208.3	6,000 *	5,400 *	150
190	60	160	53.1	205.9	5,300	4,000	55.2	204.2	5,600	4,300	57.1	200.6	5,800 *	4,500	160
190	60	170	50.2	197.7	4,600	3,300	52.3	195.8	4,800	3,600	54.0	192.2	5,100	3,800	170
190	60	180	47.1	188.5	3,900	2,700	49.1	186.6	4,100	3,000	50.8	182.7	4,300	3,100	180
190	60	190	43.8	178.3	3,300	2,200	45.9	176.2	3,500	2,400	47.5	172.1	3,700	2,600	190
190	60	200	40.4	166.7	2,800		42.3	164.5	3,000						200
190	60	210	36.6	153.6	2,300		38.5	151.2	2,400						210
190	75	57.39	80.0	269.2	16,300 *	16,300 *									57.39
190	75	60	79.4	268.7	16,100 *	16,100 *									60
190	75	70	77.2	266.4	14,300 *	14,300 *	79.9	264.7	10,700 *	10,700 *					70
190	75	80	75.0	263.6	12,800 *	12,800 *	77.7	261.9	9,800 *	9,800 *					80
190	75	90	72.8	260.5	11,600 *	11,600 *	75.4	258.8	9,000 *	9,000 *	77.9	255.3	6,100 *	6,100 *	90
190	75	100	70.5	256.9	10,500 *	10,500 *	73.1	255.1	8,300 *	8,300 *	75.6	251.6	5,700 *	5,700 *	100
190	75	110	68.2	252.8	9,600 *	9,500	70.8	251.0	7,700 *	7,700 *	73.2	247.5	5,400 *	5,400 *	110
190	75	120	65.8	248.3	8,800 *	8,000	68.4	246.5	7,100 *	7,100 *	70.8	242.8	5,100 *	5,100 *	120
190	75	130	63.4	243.2	8,100 *	6,800	66.0	241.4	6,700 *	6,700 *	68.4	237.7	4,800 *	4,800 *	130
190	75	140	60.9	237.6	7,300 *	5,800	63.5	235.7	6,300 *	6,300 *	65.8	231.9	4,600 *	4,600 *	140
190	75	150	58.4	231.5	6,300	4,900	61.0	229.5	5,900 *	5,300	63.3	225.6	4,300 *	4,300 *	150
190	75	160	55.8	224.6	5,500	4,100	58.4	222.6	5,600 *	4,500	60.6	218.6	4,200 *	4,200 *	160
190	75	170	53.1	217.1	4,700	3,400	55.6	215.0	5,000	3,700	57.8	210.8	4,000 *	4,000 *	170
190	75	180	50.3	208.8	4,000	2,800	52.8	206.6	4,300	3,100	54.9	202.3	3,800 *	3,400	180
190	75	190	47.4	199.7	3,400	2,300	49.9	197.4	3,700	2,500	51.9	192.8	3,700 *	2,800	190
190	75	200	44.4	189.5	2,900		46.8	187.1	3,100	2,000	48.8	182.2	3,300	2,200	200
190	75	210	41.1	178.1	2,400		43.5	175.5	2,600		45.4	170.3	2,800	1,800	210
190	75	220	37.6	165.3			39.9	162.5	2,100						220
200	30	47.48	80.0	235.6	24,000 *	24,000 *									47.48
200	30	50	79.4	235.1	24,000 *	24,000 *									50
200	30	60	76.8	232.9	24,000 *	23,900	78.1	232.1	21,500 *	21,500 *	79.2	230.5	19,500 *	19,500 *	60
200	30	70	74.3	230.2	21,900 *	19,100	75.5	229.4	20,600 *	19,600	76.6	227.8	18,600 *	18,600 *	70
200	30	80	71.7	227.0	18,600	15,500	72.9	226.2	19,000	15,900	74.0	224.5	17,200 *	16,300	80
200	30	90	69.1	223.3	15,400	12,700	70.3	222.5	15,700	13,100	71.3	220.8	16,000 *	13,400	90
200	30	100	66.4	219.1	12,900	10,500	67.6	218.2	13,200	10,800	68.6	216.5	13,500	11,100	100
200	30	110	63.6	214.3	10,900	8,800	64.8	213.4	11,100	9,000	65.9	211.7	11,400	9,300	110
200	30	120	60.8	208.9	9,200	7,300	62.0	208.0	9,500	7,600	63.0	206.2	9,700	7,800	120
200	30	130	57.9	202.8	7,800	6,100	59.1	201.9	8,100	6,300	60.1	200.0	8,200	6,500	130
200	30	140	55.0	196.0	6,700	5,100	56.1	195.1	6,900	5,300 *	57.1	193.1	7,000	5,400	140
200	30	150	51.9	188.4	5,700	4,200	53.0	187.4	5,800	4,400	53.9	185.4	6,000	4,500	150
200	30	160	48.6	179.9	4,800	3,500	49.7	178.9	5,000	3,600	50.6	176.7	5,100	3,700	160
200	30	170	45.2	170.4	4,000	2,800	46.3	169.2	4,200	2,900	47.1	167.0	4,300	3,000	170
200	30	180	41.6	159.5	3,400	2,200	42.6	158.3	3,500	2,300					180
200	30	190	37.6	147.2	2,800		38.7	145.9	2,900						190
200	30	200	33.3	132.8	2,300										200
200	45	51.36	80.0	250.1	20,800 *	20,800 *									51.36
200	45	60	78.0	248.3	20,200 *	20,200 *	79.7	247.1	18,400 *	18,400 *					60
200	45	70	75.6	245.8	19,400 *	19,400	77.3	244.6	16,700 *	16,700 *	78.9	242.3	13,300 *	13,300 *	70
200	45	80	73.1	242.8	18,200 *	15,700	74.9	241.6	15,200 *	15,200 *	76.5	239.3	12,500 *	12,500 *	80
200	45	90	70.7	239.3	15,600	12,900	72.4	238.2	14,000 *	13,400	74.0	235.8	11,700 *	11,700 *	90
200	45	100	68.2	235.4	13,100	10,700	69.9	234.2	12,900 *	11,200	71.4	231.8	11,100 *	11,100 *	100
200	45	110	65.7	231.0	11,100	9,000	67.3	229.7	11,500	9,400	68.9	227.3	10,500 *	9,700	110

**218 HYLAB 5 - w/ 50" x 60" Tube Boom, w/ 24" x 32" Tube Jib, w/ "AB" Cwt**

Refer to the Tubular Jib Notes for Open Throat Boom in the Crane Rating Manual before operating the crane.

Boom Length (ft)	Jib Length (ft)	Jib Load Radius (ft)	Jib Angle to Boom												Jib Load Radius (ft)
			5 Degrees				15 Degrees				25 Degrees				
			Boom Angle (deg)	Jib Point Height (ft)	Over End Capacity (lbs)	Jib Capacity (lbs)	360° Jib Capacity (lbs)	Boom Angle (deg)	Jib Point Height (ft)	Over End Capacity (lbs)	Jib Capacity (lbs)	360° Jib Capacity (lbs)	Boom Angle (deg)	Jib Point Height (ft)	
200	45	120	63.1	226.0	9,400	7,500	64.7	224.7	9,800	7,900	66.2	222.2	10,000 *	8,200	120
200	45	130	60.4	220.4	8,000	6,300	62.1	219.1	8,400	6,600	63.5	216.5	8,600	6,900	130
200	45	140	57.7	214.2	6,900	5,300	59.3	212.8	7,100	5,600	60.7	210.2	7,400	5,800	140
200	45	150	54.9	207.3	5,800	4,400	56.5	205.9	6,100	4,600	57.9	203.1	6,300	4,900	150
200	45	160	51.9	199.6	5,000	3,600	53.5	198.2	5,200	3,800	54.9	195.3	5,400	4,000	160
200	45	170	48.9	191.1	4,200	2,900	50.5	189.5	4,400	3,100	51.7	186.5	4,600	3,300	170
200	45	180	45.7	181.5	3,500	2,400	47.2	179.9	3,700	2,500	48.5	176.8	3,900	2,700	180
200	45	190	42.3	170.8	2,900		43.8	169.1	3,100	2,000					190
200	45	200	38.7	158.7	2,400		40.1	156.9	2,500						200
200	45	210	34.7	144.8			36.1	142.8	2,000						210

